

## 7. Parts catalog

### How to use this parts catalog

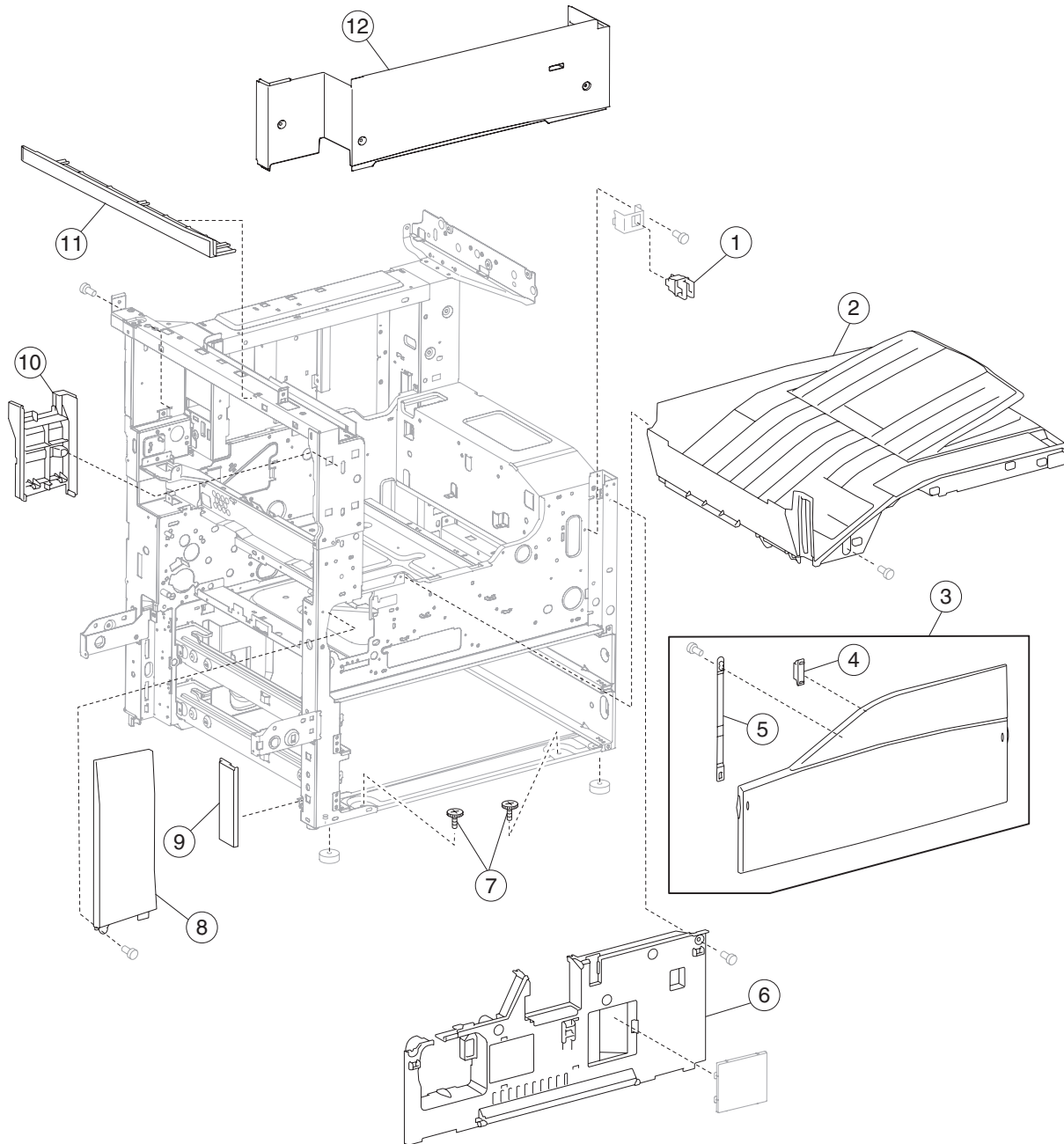
The following legend is used in the parts catalog:

Asm Index	Part number	Units/mach	Units/kit or pkg	Description
-----------	-------------	------------	------------------	-------------

- **Assembly-index:** Identifies the assembly and the item in the diagram. For example 3-1 indicates Assembly 3 and the item number 1 in the table.
- **Part number:** Identifies the unique number that identifies this FRU.
- **Units/mach:** Refers to the number of units actually used in the base machine or product.
- **Units/kit or pkg:** Refers to the number of units packaged together and identified by the part number.
- **NS:** (Not shown) in the assembly-Index column indicates that the part is procurable but is not pictured in the illustration.
- **PP:** (Parts Packet) in the parts description column indicates the part is contained in a parts packet.

Model name	Configuration	Machine type	Speed
Lexmark X850e	Network	7500-000	35 PPM
Lexmark X852e	Network	7500-100	45 PPM
Lexmark X854e	Network	7500-200	55 PPM

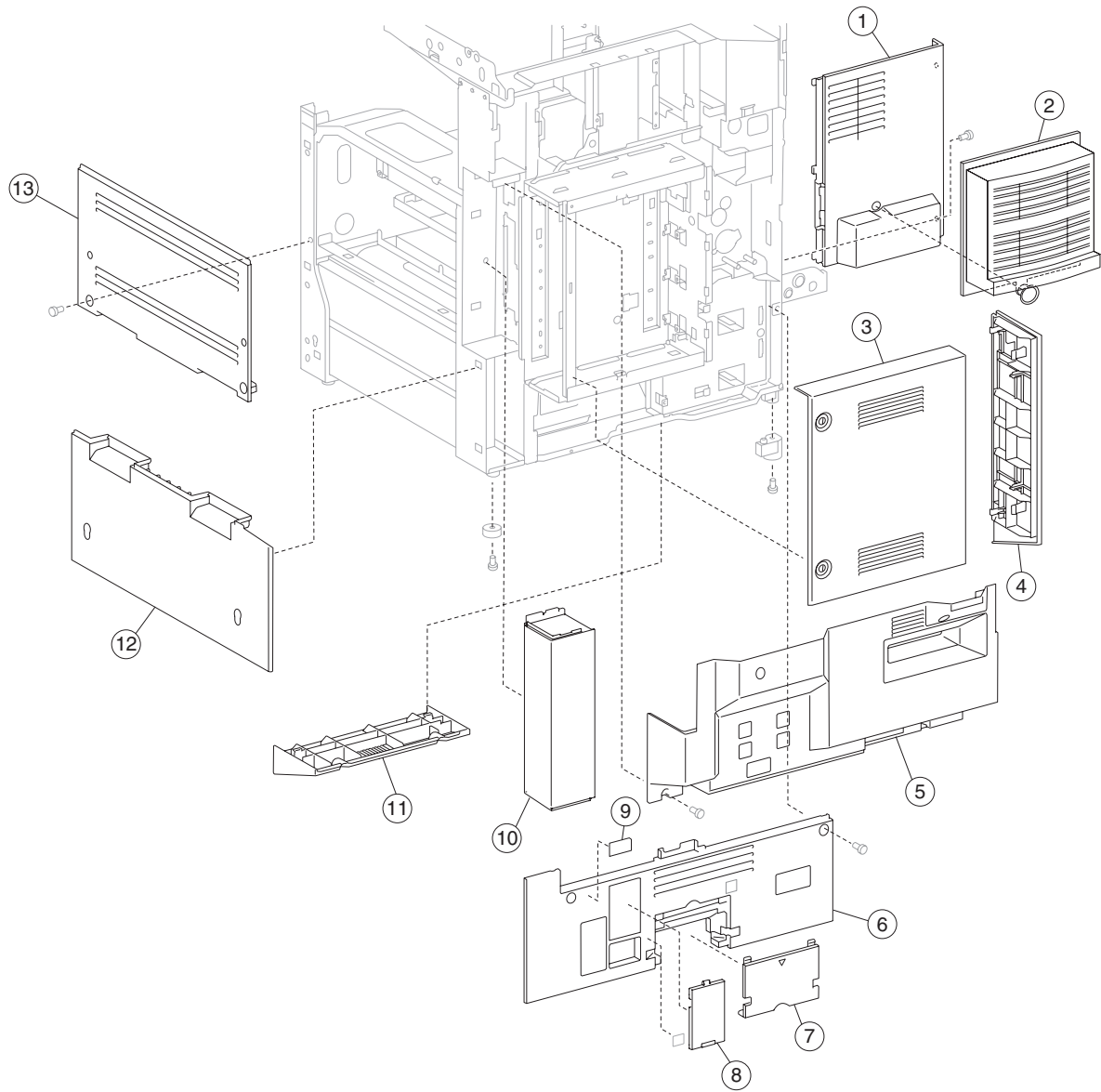
### Assembly 1: Covers (1 of 2)



## Assembly 1: Covers (1 of 2)

Asm Index	Part number	Units/mach	Units/kit or pkg	Description
1-1	40X0553	1	1	Switch (printer front door interlock)
2	40X2366	1	1	Top cover assembly
3	40X2385	1	1	Printer front door assembly
4	40X0560	1	1	Front door magnetic catch
5	40X0561	1	1	Front door support strap
6	40X0562	1	1	Front inner cover
7	40X0960	1	2	2TM/TTM retaining screws
8	40X2294	1	1	Front left cover
9	40X0550	1	1	Left lower cover
10	40X2296	1	1	Front interior cover
11	40X2297	1	1	Left upper cover
12	40X2295	1	1	Rear interior cover

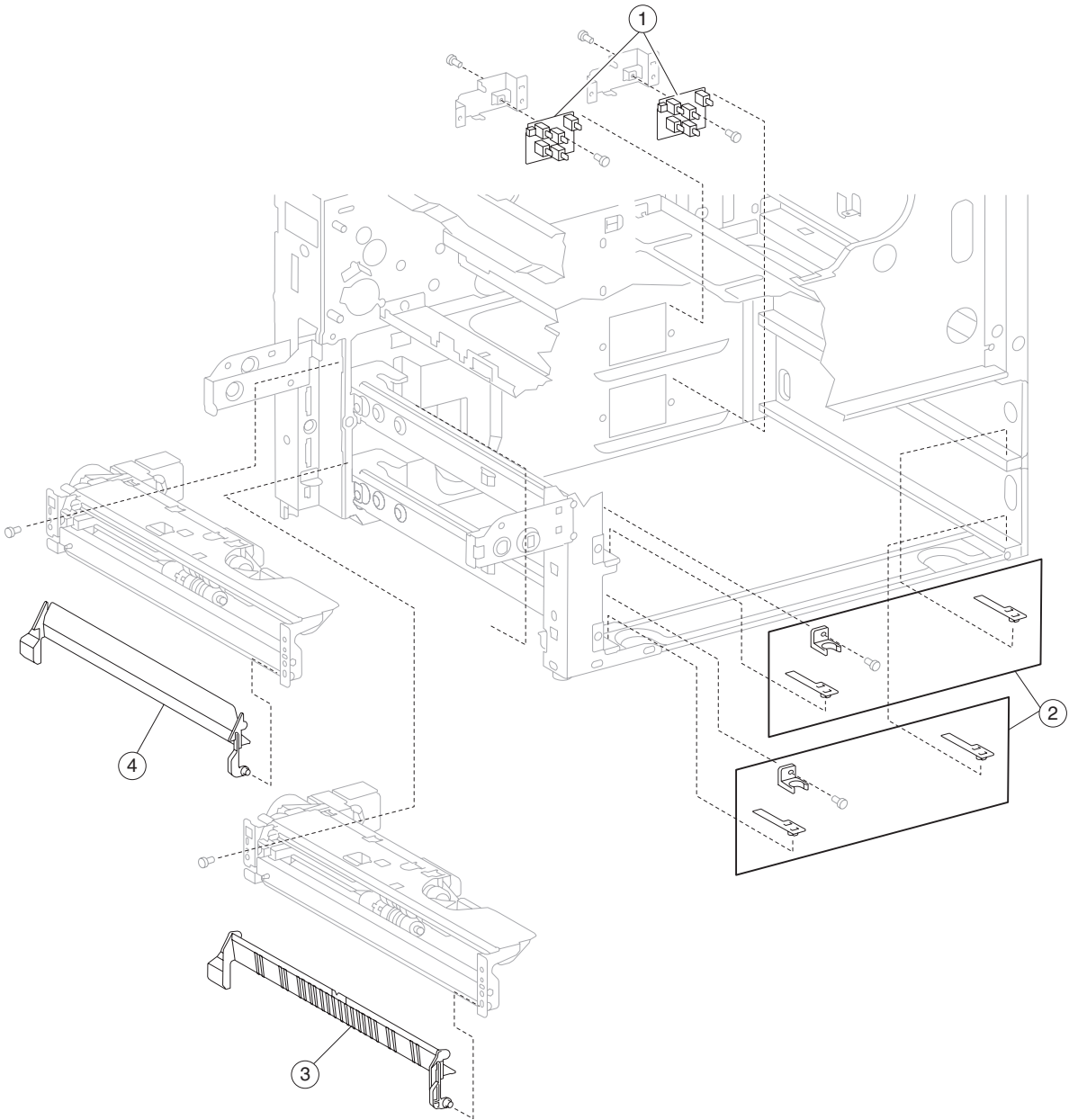
## Assembly 2: Covers



## Assembly 2: Covers

Asm Index	Part number	Units/mach	Units/kit or pkg	Description
1-1	40X2300	1	1	Rear motor cover
2	40X2382	1	1	TVOC filter assembly
3	40X2304	1	1	Rear RIP card cover
4	40X2306	1	1	Controller box side cover
5	40X2301	1	1	Rear Upper cover
6	40X2386	1	1	Rear lower cover (110V)
6	40X2387	1	1	Rear lower cover (220V)
7	40X0568	1	1	Option hookup cover
8	40X2302	1	1	Rear lower cap cover
9	40X2303	1	1	GFI label
10	40X2299	1	1	Rear corner cover
11	40X2305	1	1	Controller box lower cover
12	40X0564	1	1	Right lower cover
13	40X0563	1	1	Right upper cover

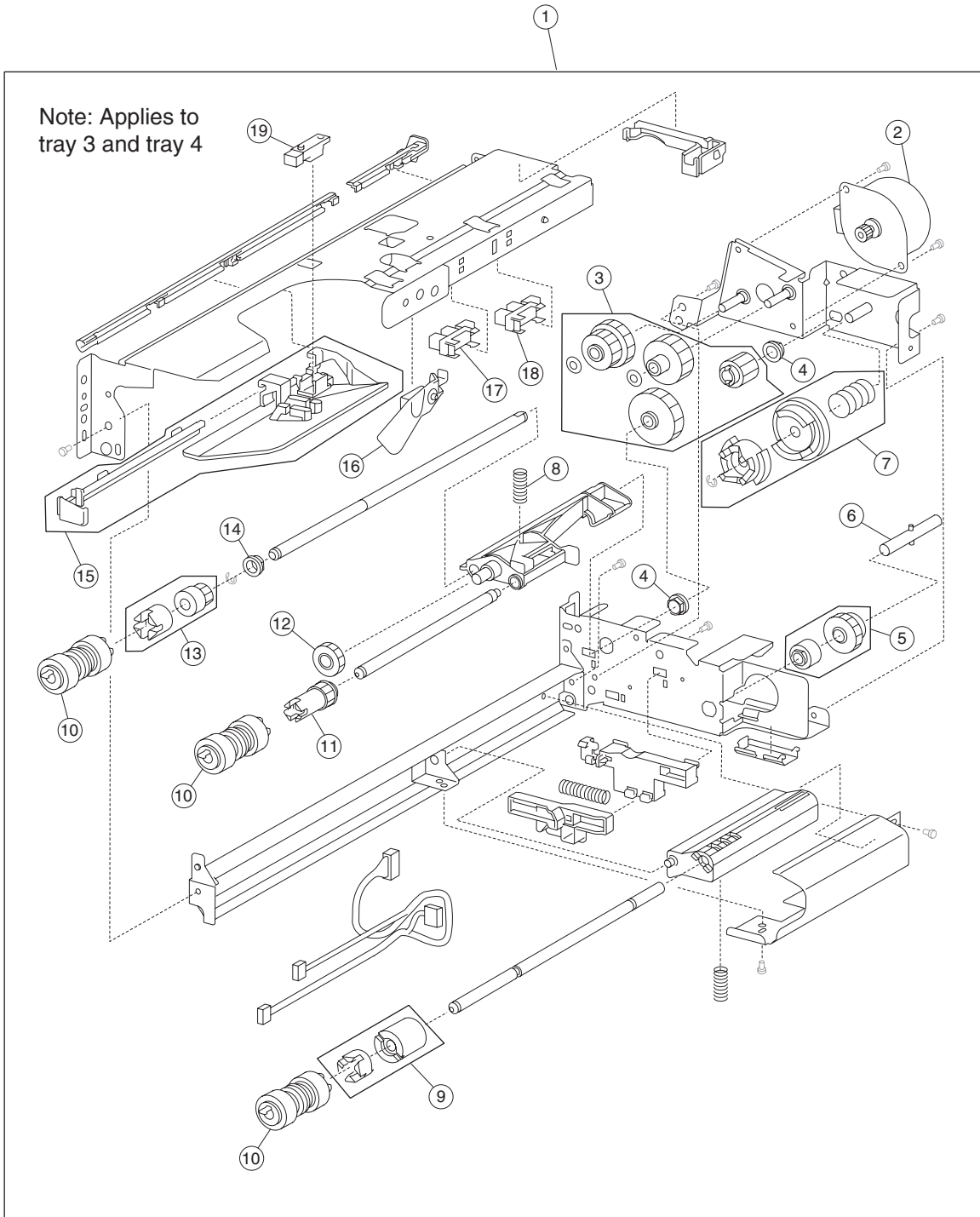
### Assembly 3: Media feed unit



**Assembly 3: Media feed unit**

<b>Asm Index</b>	<b>Part number</b>	<b>Units/mach</b>	<b>Units/kit or pkg</b>	<b>Description</b>
3-1	40X0570	2	1	Switch (media size)
2	40X0569	2	3	Media tray catch kit includes: <ul style="list-style-type: none"><li>• Media tray catch</li><li>• Media tray slide (2 each)</li></ul>
3	40X0572	1	1	Vertical turn guide
4	40X0571	1	1	Vertical turn mylar guide

### Assembly 4: Media feed unit exploded (tray 1 and tray 2)



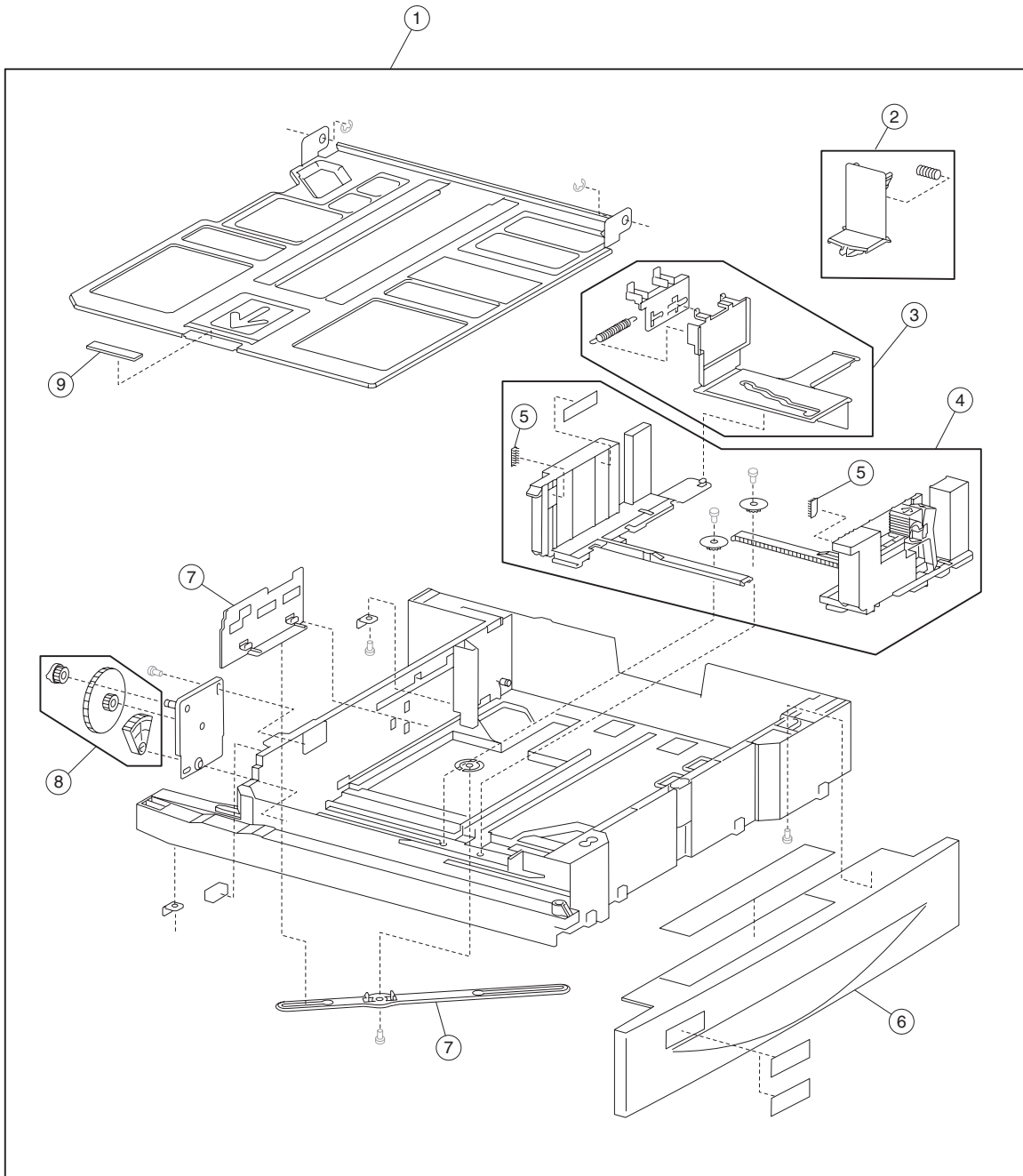


### Assembly 4: Media feed unit exploded (tray 1 and tray 2)

Asm Index	Part number	Units/mach	Units/kit or pkg	Description
4-1	40X0581	2	1	Media feed unit assembly
2	40X0582	2	1	Media feed lift motor
3	40X0585	2	6	Media feed drive gear kit includes: <ul style="list-style-type: none"> <li>• Media feed unit drive gear 13T</li> <li>• Media feed unit drive gear 28/21T</li> <li>• Media feed unit drive gear 29T</li> <li>• Media feed unit drive gear 27T</li> <li>• 2 mm washer (2 each)</li> </ul>
4	40X0880	2	1	Bushing 6 mm
5	40X0967	2	2	Media tray lift one-way clutch/gear kit includes: <ul style="list-style-type: none"> <li>• Media tray lift one-way clutch</li> <li>• Media tray lift one-way gear</li> </ul>
6	40X0968	2	1	Media tray lift one-way shaft
7	40X0583	2	3	Tray lift coupling kit includes: <ul style="list-style-type: none"> <li>• Tray lift coupling</li> <li>• Tray lift coupling gear 31T</li> <li>• Spring</li> </ul>
8	40X0590	2	1	Pick roll assembly spring
9	40X0593	2	2	Separation roll friction clutch kit includes: <ul style="list-style-type: none"> <li>• Separation roll one-way friction clutch</li> <li>• Separation roll spacer</li> </ul>
10	40X0594	2	6	Feed unit roll kit includes: <ul style="list-style-type: none"> <li>• Feed roll (2 each)</li> <li>• Pick roll (2 each)</li> <li>• Separation roll (2 each)</li> </ul>
11	40X0970	2	1	Pick roll drive gear
12	40X0969	2	1	Pick roll idler gear
13	40X0591	2	2	Feed roll one-way clutch kit includes: <ul style="list-style-type: none"> <li>• Feed roll one-way clutch</li> <li>• Feed roll one-way gear 22T</li> </ul>
14	40X0952	2	1	Bushing 6 mm
15	40X0586	2	2	Media feed unit front guide kit includes: <ul style="list-style-type: none"> <li>• Media feed unit front guide</li> <li>• Media feed unit front guide rail</li> </ul>
16	40X0587	2	1	Media out actuator
17	40X0588	2	1	Sensor (media out)
18	40X0588	2	1	Sensor (media level)
19	40X0589	2	1	Sensor (pre-feed)

**Note:** Assembly index items 17 and 18 are identical sensors with different functions; therefore, they are the same part number with different descriptions.

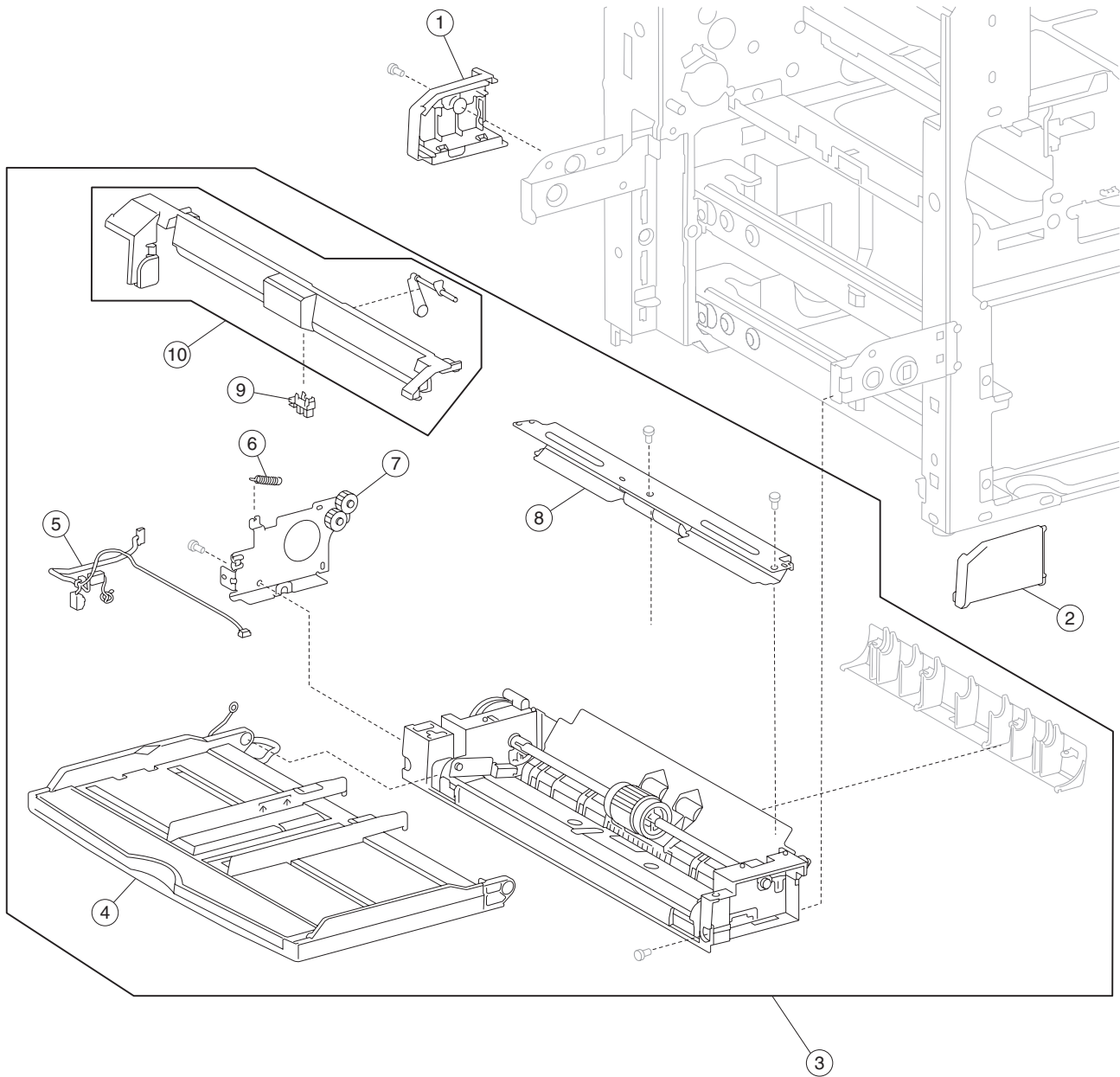
### Assembly 5: Media tray



## Assembly 5: Media tray

Asm Index	Part number	Units/mach	Units/kit or pkg	Description
5-1	40X0573	2	3	Media tray assembly includes: (this comes assembled) <ul style="list-style-type: none"> <li>• Media tray assembly</li> <li>• Labels (2 each)</li> </ul>
2	40X0578	2	2	Media tray end guide kit includes: <ul style="list-style-type: none"> <li>• Media tray end guide</li> <li>• Spring</li> </ul>
3	40X0577	2	3	Media tray side guide actuator kit includes: <ul style="list-style-type: none"> <li>• Media tray side guide actuator</li> <li>• Media tray side guide slide</li> <li>• Spring</li> </ul>
4	40X0576	2	5	Media tray side guide kit includes: <ul style="list-style-type: none"> <li>• Media max label</li> <li>• Front media tray guide assembly</li> <li>• Rear media tray guide</li> <li>• Pinion gear (2 each)</li> </ul>
5	40X0966	4	1	Media tray separation brush
6	40X0574	2	1	Media tray front cover includes: <ul style="list-style-type: none"> <li>• Media tray front cover</li> <li>• Labels (2 each)</li> </ul>
7	40X0579	2	2	Media tray end guide actuator kit includes: <ul style="list-style-type: none"> <li>• Media end guide actuator</li> <li>• Actuator link</li> </ul> <p><b>Note:</b> The graphic on the previous page, shows two #7 callouts. These callouts are the two items that make up the media tray end guide actuator kit.</p>
8	40X0580	2	3	Media tray lift gear kit includes: <ul style="list-style-type: none"> <li>• Tray lift coupling gear 13T</li> <li>• Tray lift gear 13/60T</li> <li>• Tray lift sector gear 12T</li> </ul>
9	40X0965	2	1	Media tray separation pad

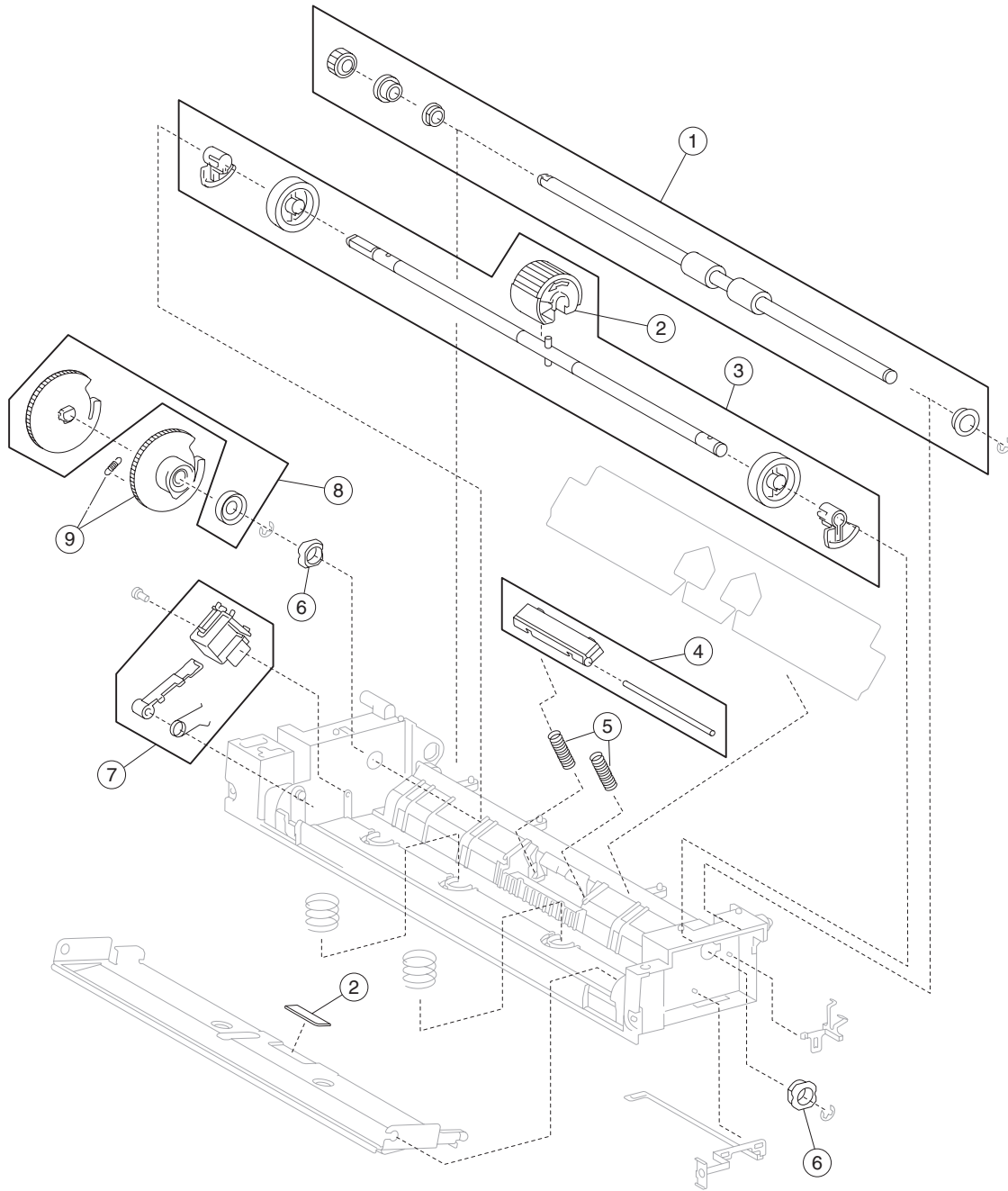
### Assembly 6: MPF unit



**Assembly 6: MPF unit**

<b>Asm Index</b>	<b>Part number</b>	<b>Units/mach</b>	<b>Units/kit or pkg</b>	<b>Description</b>
6-1	40X0600	1	1	MPF rear cover
2	40X0599	1	1	MPF front cover
3	40X0595	1	1	MPF feed unit assembly
4	40X0608	1	1	MPF fold down tray assembly
5	40X0597	1	1	MPF unit cable assembly
6	40X0755	1	1	MPF pickup spring
7	40X0598	1	1	MPF idler gear bracket assembly
8	40X0601	1	1	MPF transport pinch roll assembly
9	40X0588	1	1	Sensor (MPF media out)
10	40X0596	1	2	MPF media out actuator kit includes: <ul style="list-style-type: none"> <li>• MPF media out actuator</li> <li>• Upper frame</li> </ul>

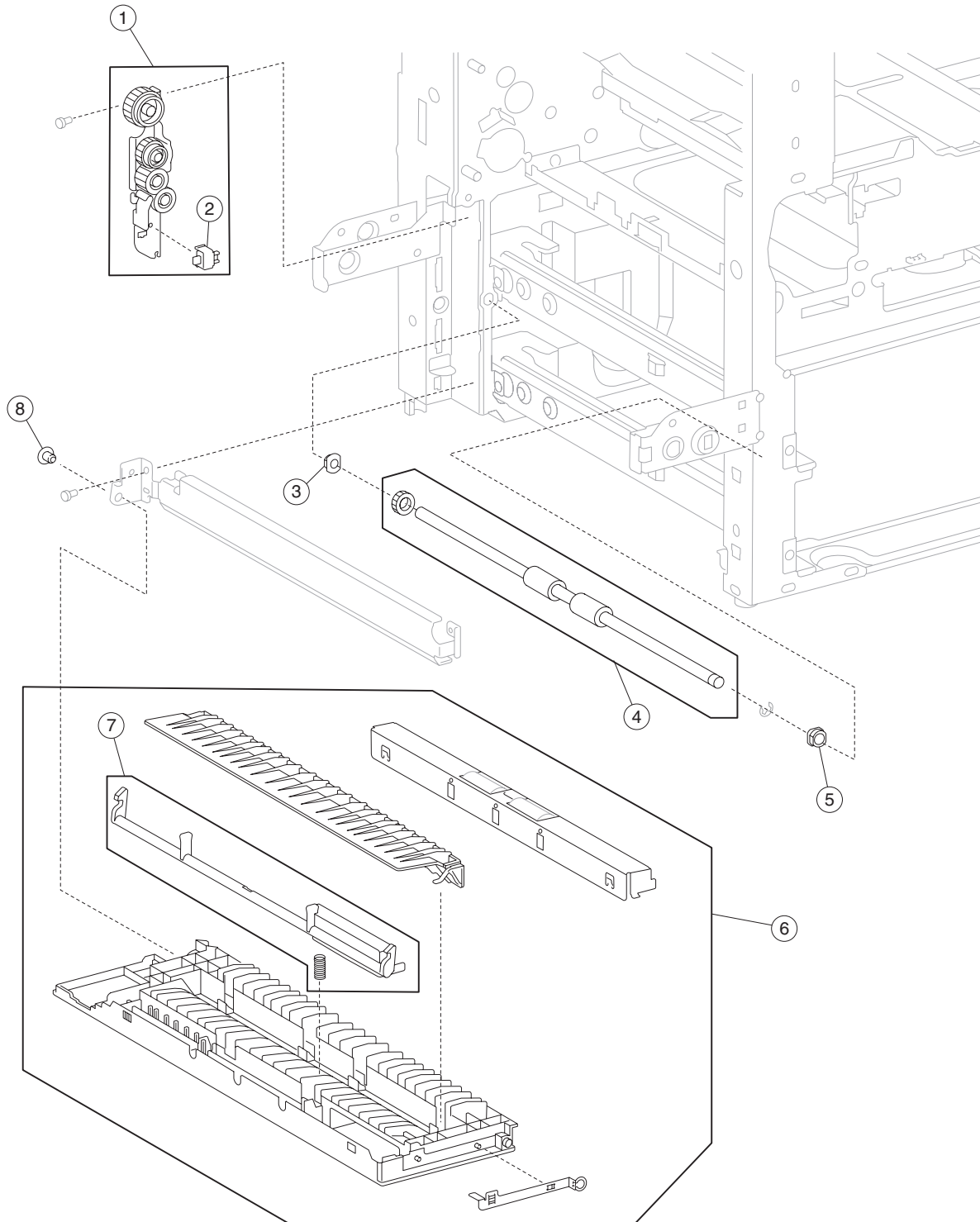
### Assembly 7: MPF unit feed



**Assembly 7: MPF unit feed**

Asm Index	Part number	Units/mach	Units/kit or pkg	Description
7-1	40X0605	1	5	MPF transport roll kit includes: <ul style="list-style-type: none"> <li>• MPF transport shaft collar</li> <li>• MPF transport gear 18T</li> <li>• MPF transport roll assembly</li> <li>• Bushing 8 mm (2 each)</li> </ul>
2	40X0603	1	2	MPF pick roll kit includes: <ul style="list-style-type: none"> <li>• MPF pressure pad</li> <li>• MPF pick roll assembly</li> </ul>
3	40X1382	1	6	MPF feed shaft kit includes: <ul style="list-style-type: none"> <li>• MPF feed shaft</li> <li>• MPF feed shaft cam rear</li> <li>• MPF feed shaft cam front</li> <li>• MPF feed shaft roll core (2 each)</li> <li>• MPF feed roll assembly</li> </ul>
4	40X0974	1	2	MPF pressure pad kit includes: <ul style="list-style-type: none"> <li>• Shaft</li> <li>• MPF pressure pad</li> </ul>
5	40X1380	2	1	MPF pressure pad spring
6	40X1381	2	1	MPF feed shaft bushing
7	40X0606	1	3	MPF pick solenoid kit includes: <ul style="list-style-type: none"> <li>• Pick lever</li> <li>• Pick solenoid</li> <li>• Spring</li> </ul>
8	40X0971	1	2	MPF feed drive gear kit includes: <ul style="list-style-type: none"> <li>• MPF feed gear</li> <li>• MPF feed gear stopper</li> </ul>
9	40X0973	1	2	MPF feed cam gear kit includes: <ul style="list-style-type: none"> <li>• MPF feed cam gear</li> <li>• Spring</li> </ul>

### Assembly 8: Left lower door and transport

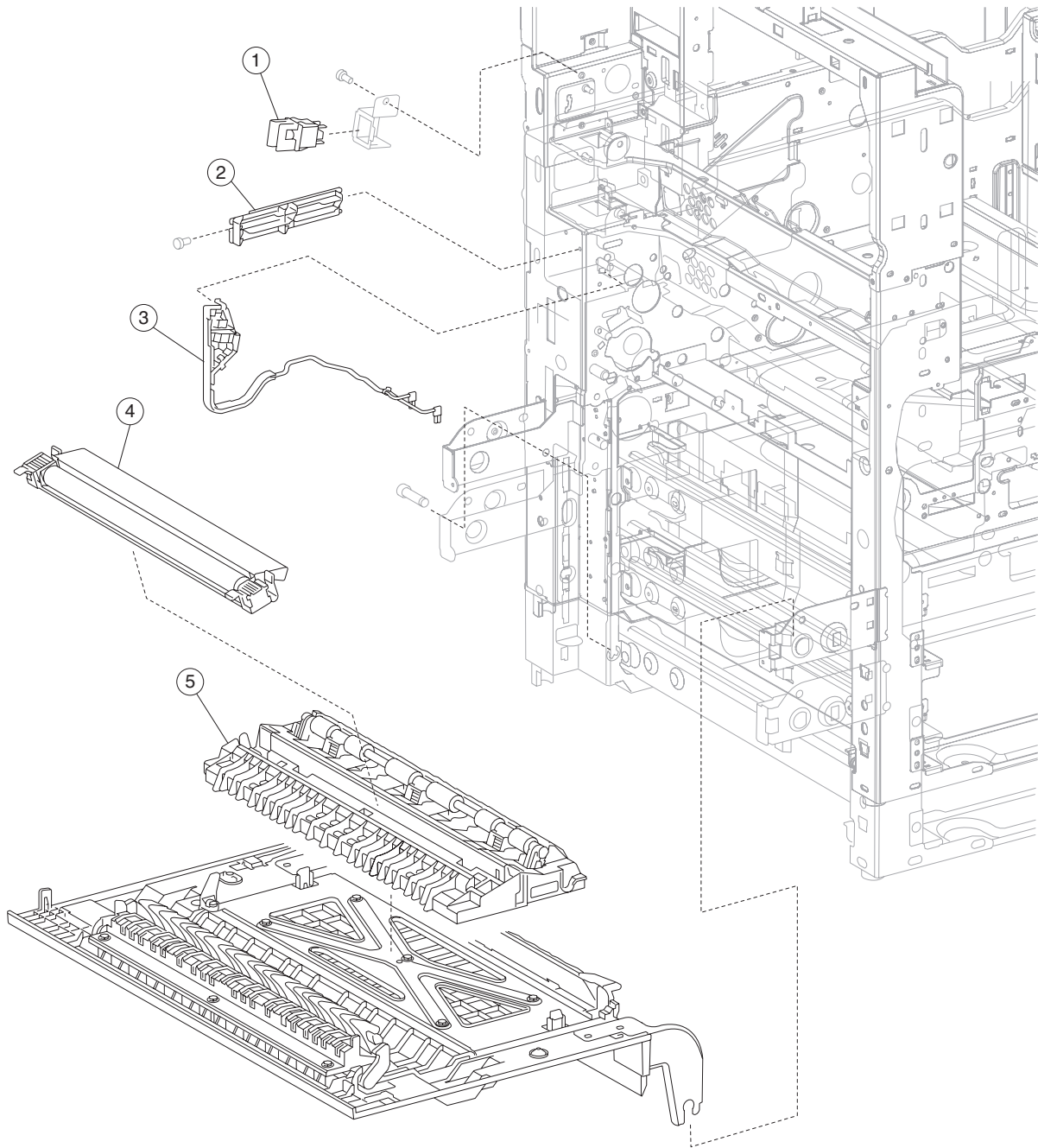




## Assembly 8: Left lower door and transport

Asm Index	Part number	Units/mach	Units/kit or pkg	Description
8-1	40X0609	1	1	Vertical drive gear assembly
2	40X0610	1	1	Switch (left lower door interlock)
3	40X1386	1	1	Bushing 6 mm (transport roll rear)
4	40X1387	1	2	Transport roll kit includes: <ul style="list-style-type: none"> <li>• Transport roll assembly</li> <li>• Transport roll gear 18T</li> </ul>
5	40X1388	1	1	Bushing 8 mm
6	40X0612	1	1	Printer left lower door assembly (this comes assembled)
7	40X0614	1	2	Left lower door handle kit includes: <ul style="list-style-type: none"> <li>• Left lower door handle</li> <li>• Spring</li> </ul>
8	40X0613	1	1	Hinge pin

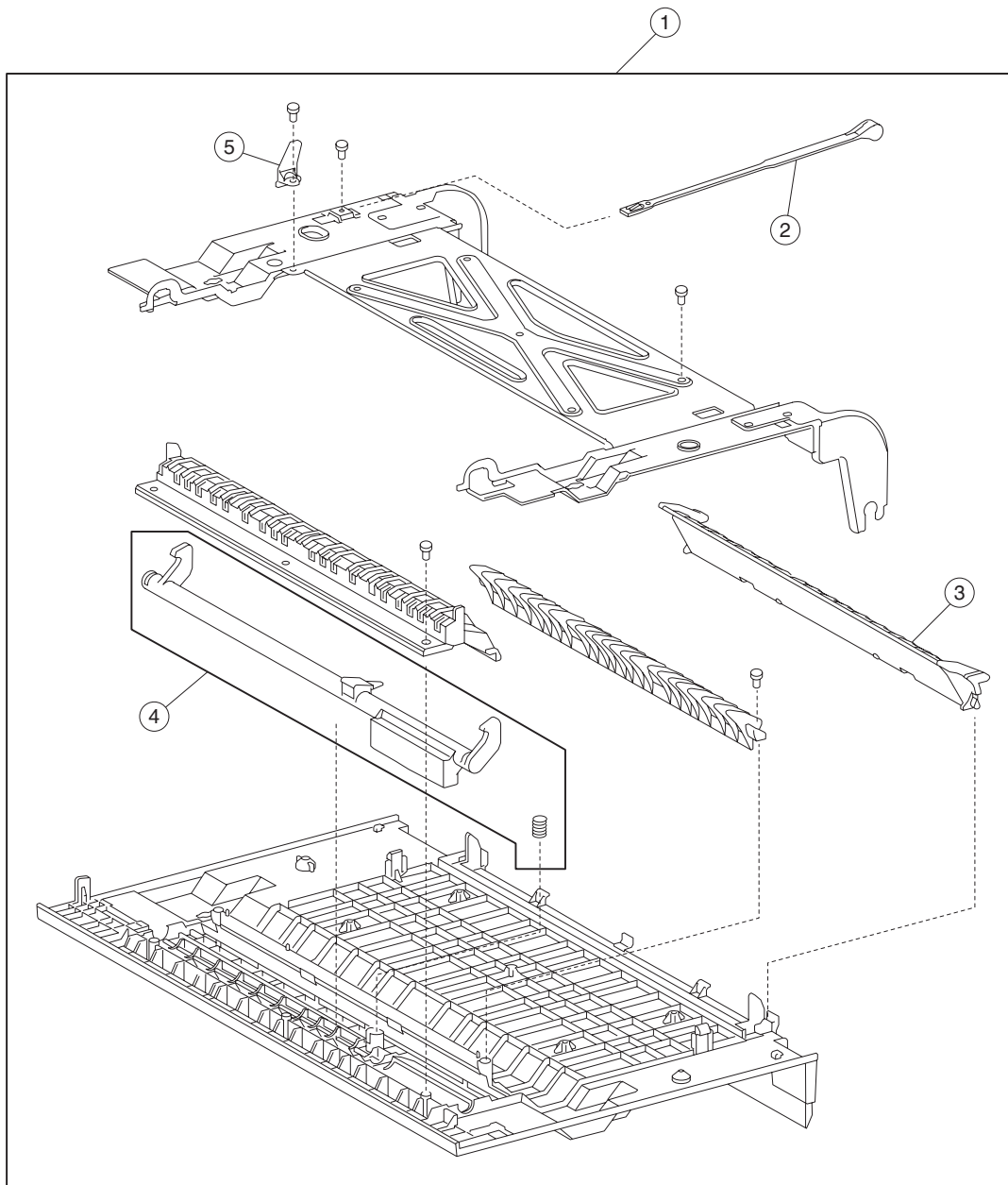
## Assembly 9: Left door and transfer roll



**Assembly 9: Left door and transfer roll**

<b>Asm Index</b>	<b>Part number</b>	<b>Units/mach</b>	<b>Units/kit or pkg</b>	<b>Description</b>
9-1	40X0553	1	1	Switch (printer left door interlock)
2	40X0618	1	1	PC cartridge shutter link
3	40X0617	1	1	Transfer roll power contact
4	40X0616	1	1	Transfer roll assembly
5	40X0619	1	1	Transfer roll guide assembly

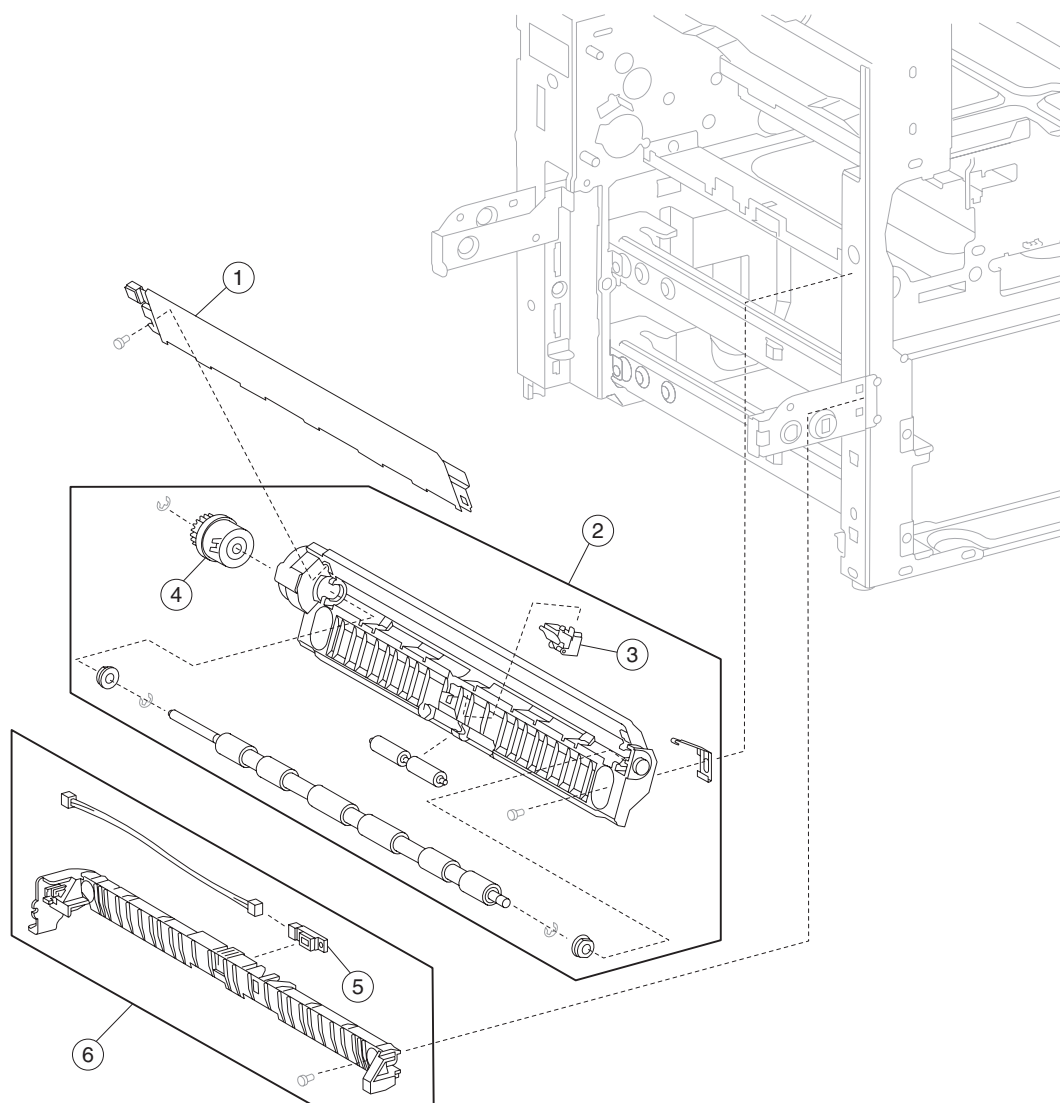
## Assembly 10: Printer left door



## Assembly 10: Printer left door

Asm Index	Part number	Units/mach	Units/kit or pkg	Description
10-1	40X0620	1	1	Printer left door assembly (this comes assembled)
2	40X0624	1	1	Printer left door support strap
3	40X0623	1	1	Left door duplex entrance guide
4	40X0621	1	2	Printer left door assembly handle kit includes: <ul style="list-style-type: none"> <li>• Printer left door assembly handle</li> <li>• Spring</li> </ul>
5	40X0622	1	1	PC cartridge shutter actuator

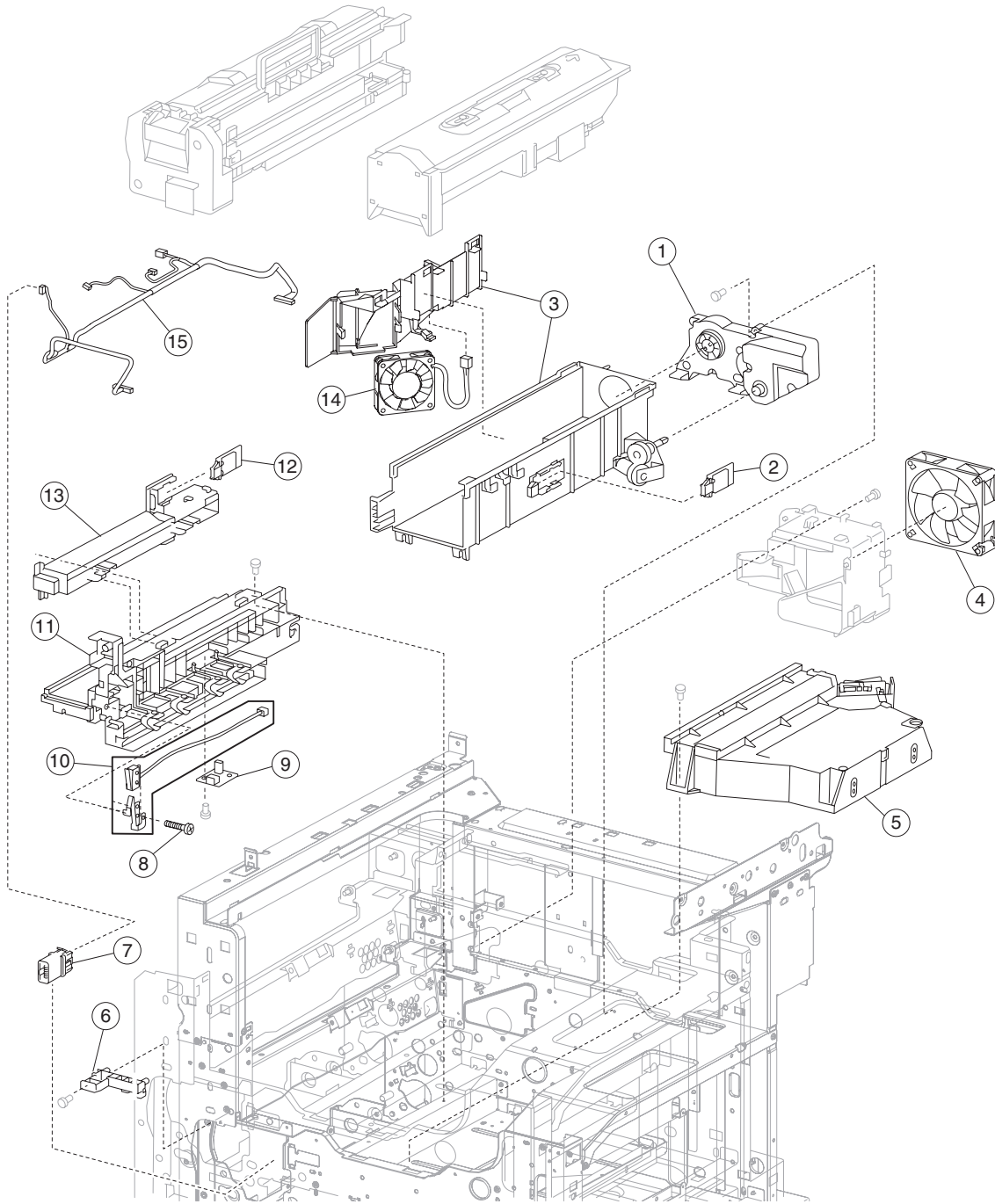
## Assembly 11: Registration



## Assembly 11: Registration

Asm Index	Part number	Units/mach	Units/kit or pkg	Description
11-1	40X0628	1	1	Registration mylar guide assembly (this comes assembled)
2	40X0625	1	1	Registration roll assembly
3	40X0627	1	1	Sensor (registration)
4	40X0626	1	1	Registration clutch
5	40X0589	1	1	Sensor (tray 2 feed-out)
6	40X0630	1	1	Tray 2 feed-out sensor guide (this comes assembled)

## Assembly 12: Printhead, cartridge guides, and fans



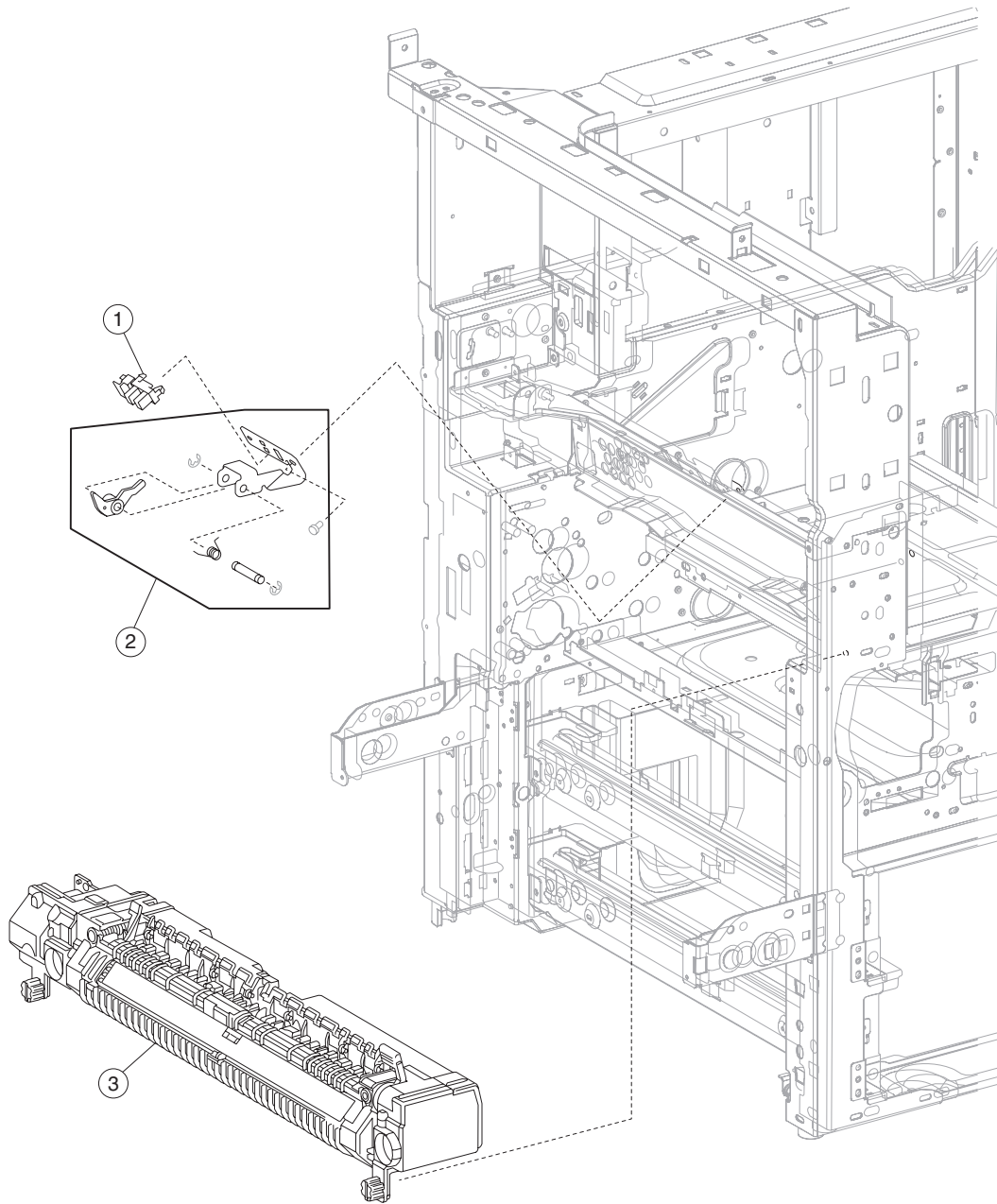


## Assembly 12: Printhead, cartridge guide and fans

Asm Index	Part number	Units/mach	Units/kit or pkg	Description
12-1	40X0639	1	1	Toner add motor assembly
2	40X0636	1	1	Sensor (RFID toner cartridge)
3	40X0638	1	2	Toner cartridge guide kit includes: <ul style="list-style-type: none"> <li>• Toner cartridge guide assembly</li> <li>• PC cartridge cooling fan duct</li> </ul>
4	40X0640	1	1	Fuser cooling fan
5	40X0641	1	1	Printhead assembly
6	40X0631	1	1	PC cartridge stop
7	40X0644	1	1	PC cartridge sensor connector
8	40X1389	1	1	PC cartridge interlock switch screw
9	40X0633	1	1	Sensor (hum & temp)
10	40X1390	1	2	Switch (PC cartridge interlock) kit includes: <ul style="list-style-type: none"> <li>• Backup spring</li> <li>• Switch (PC cartridge interlock)</li> </ul>
11	40X0634	1	1	PC cartridge guide assembly
12	40X0636	1	1	Sensor (RFID PC cartridge)
13	40X0635	1	1	Laser opening guide
14	40X0643	1	1	PC cartridge cooling fan
15	40X0637	1	1	Multi connector cable assembly 1

**Note:** Assembly index items 2 and 11 are identical sensors with different functions; therefore, they are the same part number with different descriptions.

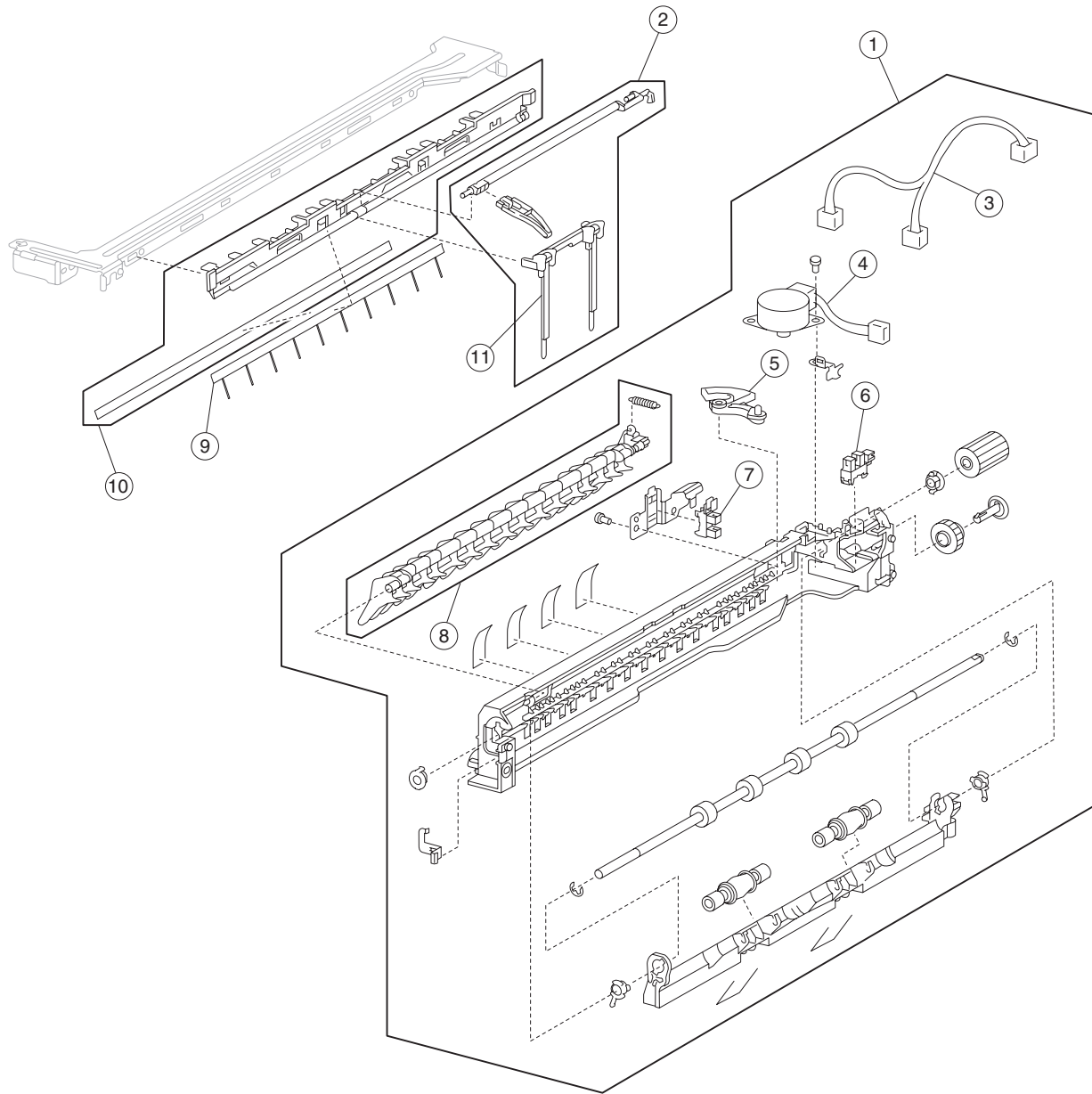
## Assembly 13: Fuser



**Assembly 13: Fuser**

<b>Asm Index</b>	<b>Part number</b>	<b>Units/mach</b>	<b>Units/kit or pkg</b>	<b>Description</b>
13-1	40X0588	1	1	Sensor (fuser exit)
2	40X0645	1	4	Fuser exit actuator kit includes: <ul style="list-style-type: none"> <li>• Shaft</li> <li>• Fuser exit actuator</li> <li>• Spring</li> <li>• Bracket</li> </ul>
3	40X2307	1	1	Fuser assembly 110V (this comes assembled)
3	40X2308	1	1	Fuser assembly 220V (this comes assembled)
3	40X2378	1	1	Fuser assembly 100V (this comes assembled)

### Assembly 14: Standard Exit 1

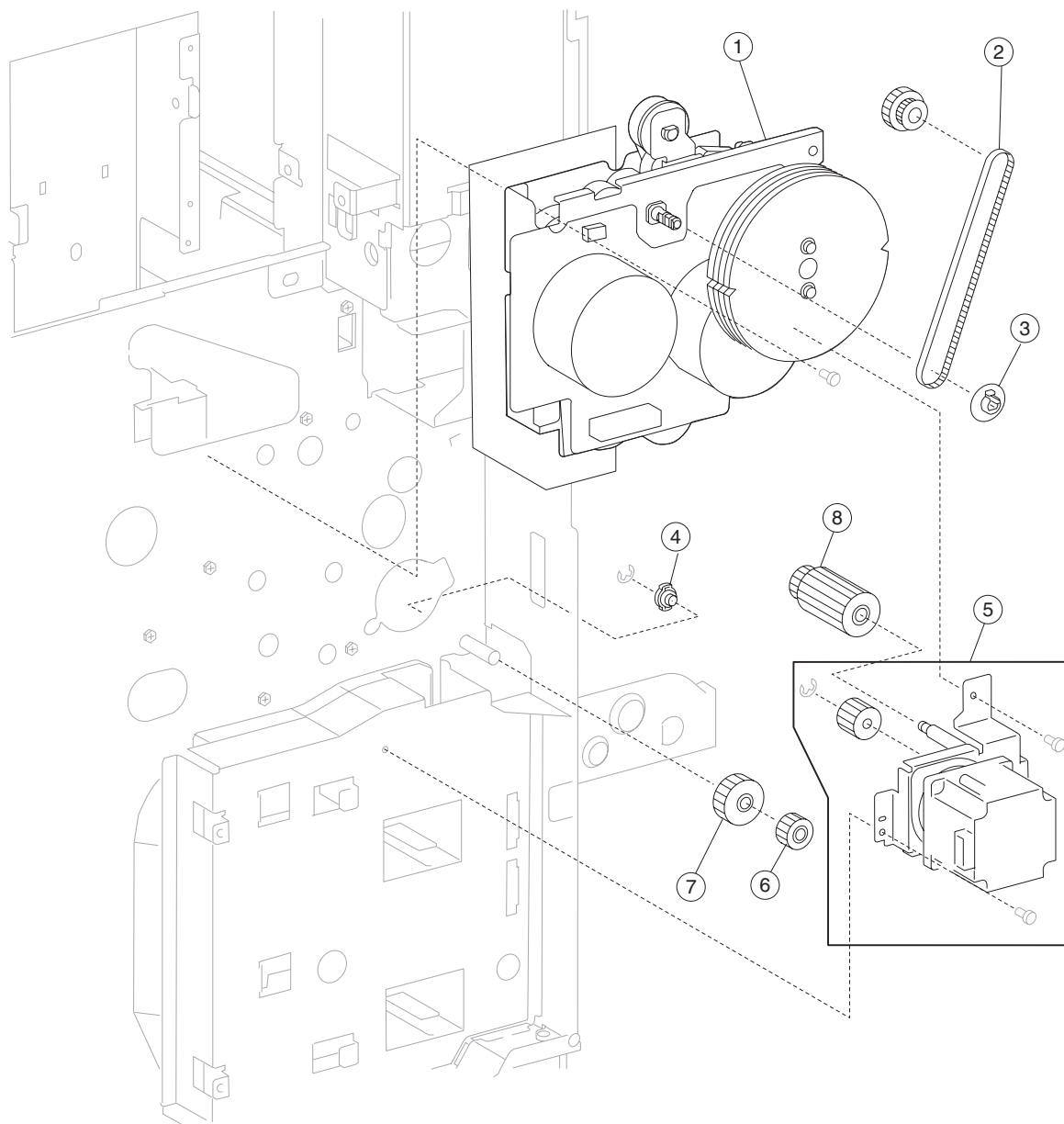


## Assembly 14: Standard Exit 1

Asm Index	Part number	Units/mach	Units/kit or pkg	Description
14-1	40X2384	1	1	Exit 1 media shift assembly (this comes assembled)
2	40X0657	1	3	Standard bin full exit 1 actuator kit includes: <ul style="list-style-type: none"> <li>• Standard bin full exit 1 actuator shaft</li> <li>• Standard bin full exit 1 actuator</li> <li>• Output guide</li> </ul>
3	40X0650	1	1	Exit 1 sensor cable assembly
4	40X0651	1	1	Media shift motor
5	40X0653	1	1	Exit 1 media shift gear
6	40X0588	1	1	Sensor (standard bin full exit 1)
7	40X0588	1	1	Sensor (exit 1 media shift HP)
8	40X0654	1	2	Media diverter gate kit includes: <ul style="list-style-type: none"> <li>• Media diverter gate</li> <li>• Spring</li> </ul>
9	40X1391	1	1	Exit 1 static eliminator
10	40X1392	1	2	Exit 1 media exit guide kit includes: <ul style="list-style-type: none"> <li>• Exit 1 media exit guide</li> <li>• Exit 1 media exit guide pad</li> </ul>
11	40X2389	1	1	Output guide

**Note:** Assembly index items 6 and 7 are identical sensors with different functions; therefore, they are the same part number with different descriptions.

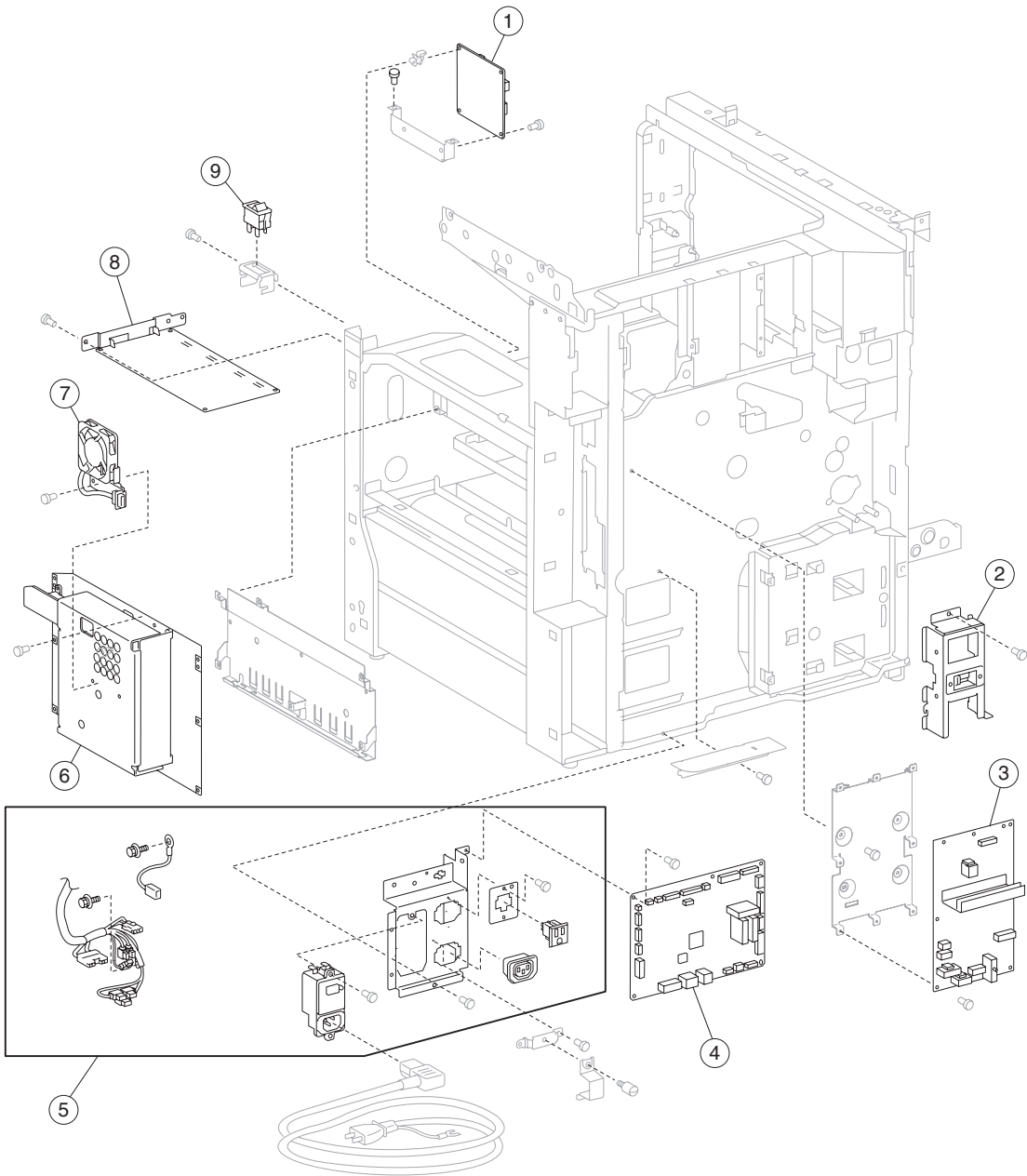
### Assembly 15: Dual unit drive motor



**Assembly 15: Dual unit drive motor**

<b>Asm Index</b>	<b>Part number</b>	<b>Units/mach</b>	<b>Units/kit or pkg</b>	<b>Description</b>
15-1	40X0660	1	1	Dual drive motor assembly
2	40X0659	1	1	Exit 1 drive belt
3	40X0661	1	1	Drive belt flange
4	40X2374	1	1	Transport motor support bushing
5	40X2309	1	1	MPF/transport drive motor assembly
6	40X2373	1	1	MPF drive gear 18T
7	40X2372	1	1	Transport roll drive gear 28T
8	40X2310	1	1	MPF/transport drive gear 19/29T

# Assembly 16: Electrical

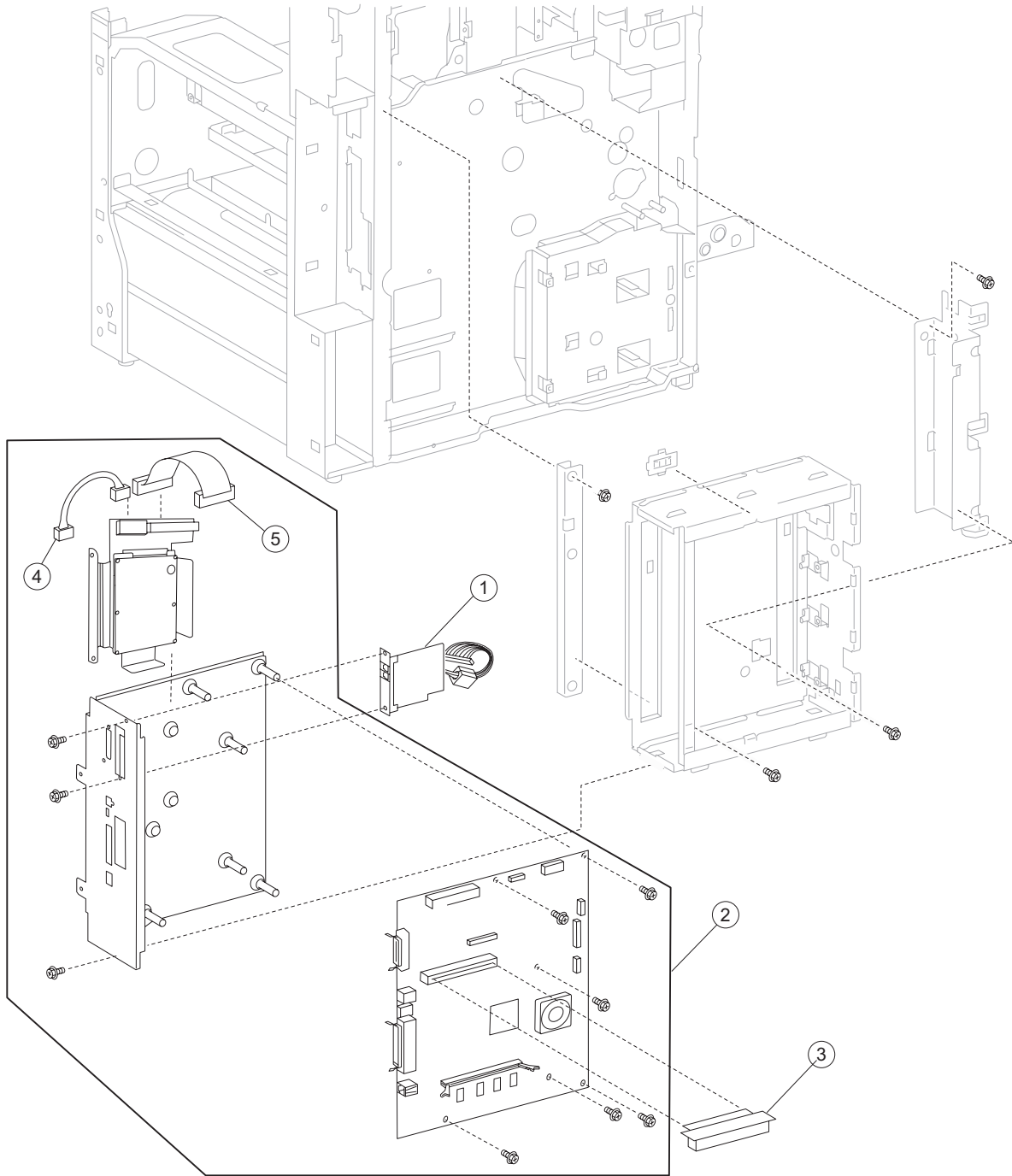




**Assembly 16: Electrical**

<b>Asm Index</b>	<b>Part number</b>	<b>Units/mach</b>	<b>Units/kit or pkg</b>	<b>Description</b>
16-1	40X0664	1	1	Exit interface card assembly
2	40X0673	1	1	HCF hookup connector assembly
3	40X2314	1	1	AC drive card assembly 110 V
3	40X2315	1	1	AC drive card assembly 220 V
4	40X2316	1	1	Printer engine card assembly X850e
4	40X2379	1	1	Printer engine card assembly X852e
4	40X2380	1	1	Printer engine card assembly X854e
5	40X2313	1	7	AC power input socket kit includes: <ul style="list-style-type: none"> <li>• Screws 4 mm (2 each)</li> <li>• Bracket</li> <li>• AC power input socket</li> <li>• Ground wire</li> <li>• Main AC cable assembly</li> <li>• Finisher AC output</li> </ul>
6	40X2312	1	1	Universal LVPS card assembly
7	40X2311	1	1	LVPS cooling fan
8	40X0662	1	1	HVPS
9	40X2388	1	1	Switch (main power)

### Assembly 16 (continued): Electrical



## Assembly 16 (continued): Electrical

Asm Index	Part number	Units/mach	Units/kit or pkg	Description
16-1	40X2360	1	1	Fax interface card assembly
2	40X4652	1	1	RIP card chassis bracket assembly (this comes assembled)
3	40X2359	1	1	Interconnect card assembly
4	40X2369	1	1	Hard drive power cable assembly
5	40X2370	1	1	Hard drive data cable assembly

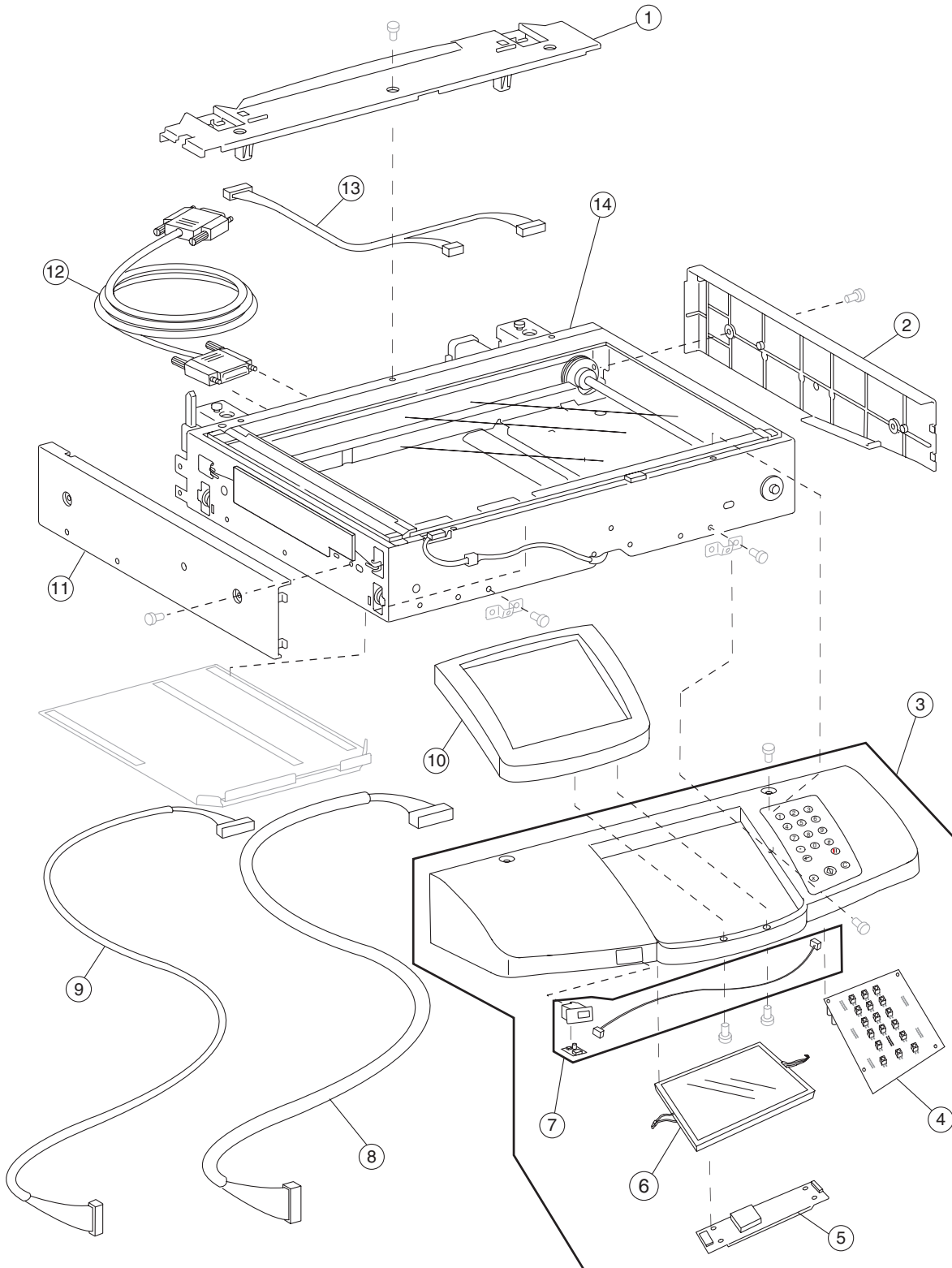
**Warning:** In the event of replacement of any one of the following components:

- Operator panel assembly (universal)
- Operator panel controller card assembly
- RIP card assembly
- Interconnect card assembly

Only replace one component at a time. Replace the required component, and perform a POR before replacing a second component listed above. If this procedure is not followed, the printer will be rendered inoperable. Never replace two or more of the components listed above without a POR after installing each one, or the printer will be rendered inoperable.

**Warning:** Never install and remove components listed above as a method of troubleshooting components. Once a component has been installed in a machine, it cannot be used in another machine. It must be returned to the manufacturer.

### Assembly 17: Covers and operator panel



## Assembly 17: Covers and operator panel

Asm Index	Part number	Units/mach	Units/kit or pkg	Description
17-1	40X2200	1	1	Scanner top rear cover
2	40X2201	1	1	Scanner right cover
3	40X2736	1	1	Operator panel assembly (universal) <b>Note:</b> This operator panel can be used on any X850 Series product. <b>Note:</b> This operator panel does not include the model specific bezel.
4	40X2363	1	1	Operator panel controller card assembly
5	40X2364	1	1	Operator panel inverter card assembly
6	40X2362	1	1	Operator panel user touch screen
7	40X2365	1	1	USB connecto2r/housing/cable
8	40X2203	1	1	Operator panel cable assembly
9	40X2399	1	1	USB cable assembly
10	40X2730	1	1	Operator panel bezel (X850e)
10	40X2731	1	1	Operator panel bezel (X852e)
10	40X2732	1	1	Operator panel bezel (X854e)
11	40X2205	1	1	Scanner left cover
12	40X2219	1	1	Scanner interface cable assembly
13	40X2207	1	1	Scanner PS cable assembly
14	40X2206	1	1	Flatbed scanner unit assembly (this comes assembled) <b>Note:</b> This assembly includes all individual parts on pages 7-38, 7-40, 7-42, and 7-44.

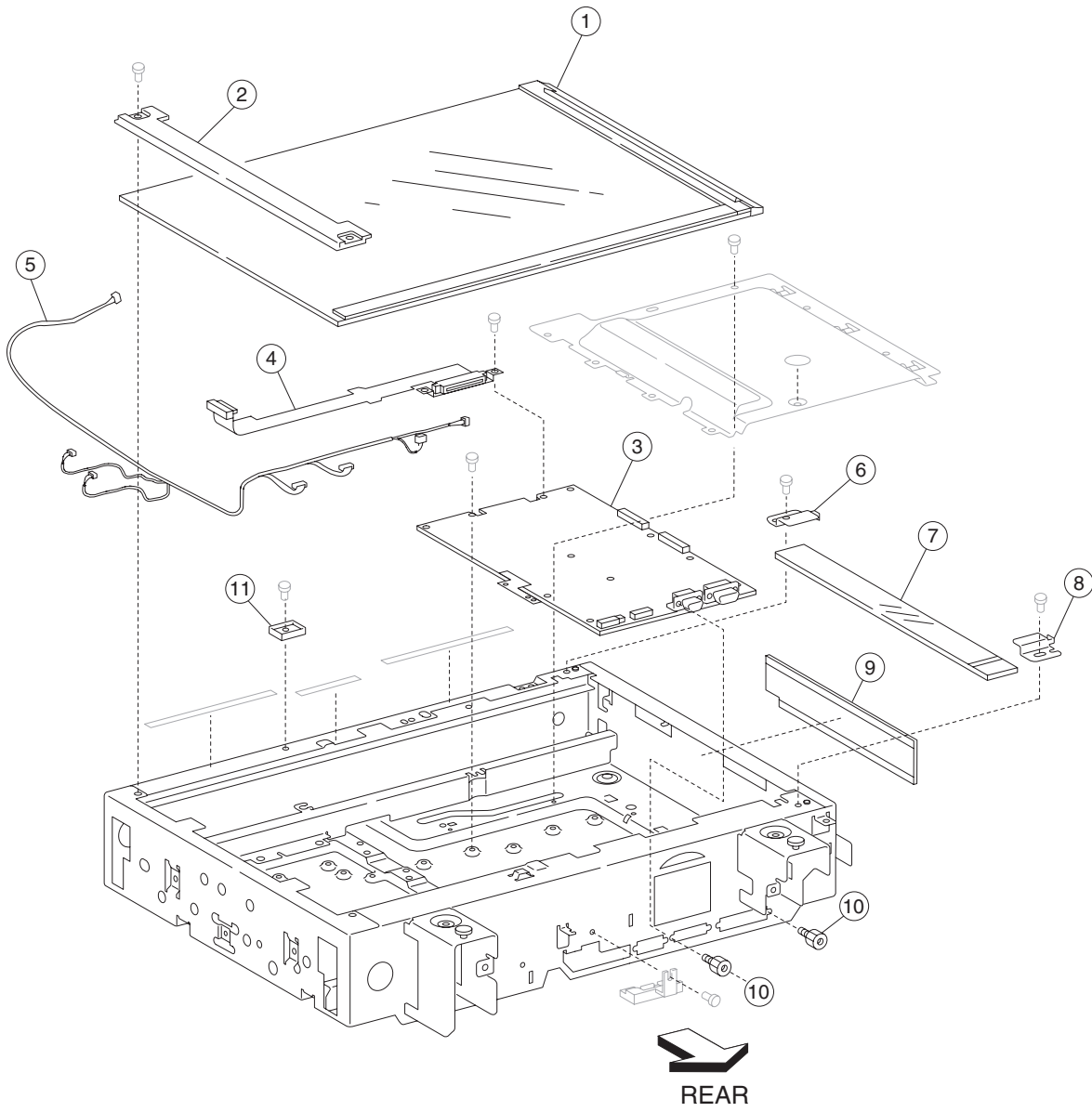
**Warning:** In the event of replacement of any one of the following components:

- Operator panel assembly (universal)
- Operator panel controller card assembly
- RIP card assembly
- Interconnect card assembly

Only replace one component at a time. Replace the required component, and perform a POR before replacing a second component listed above. If this procedure is not followed, the printer will be rendered inoperable. Never replace two or more of the components listed above without a POR after installing each one, or the printer will be rendered inoperable.

**Warning:** Never install and remove components listed above as a method of troubleshooting components. Once a component has been installed in a machine, it cannot be used in another machine. It must be returned to the manufacturer.

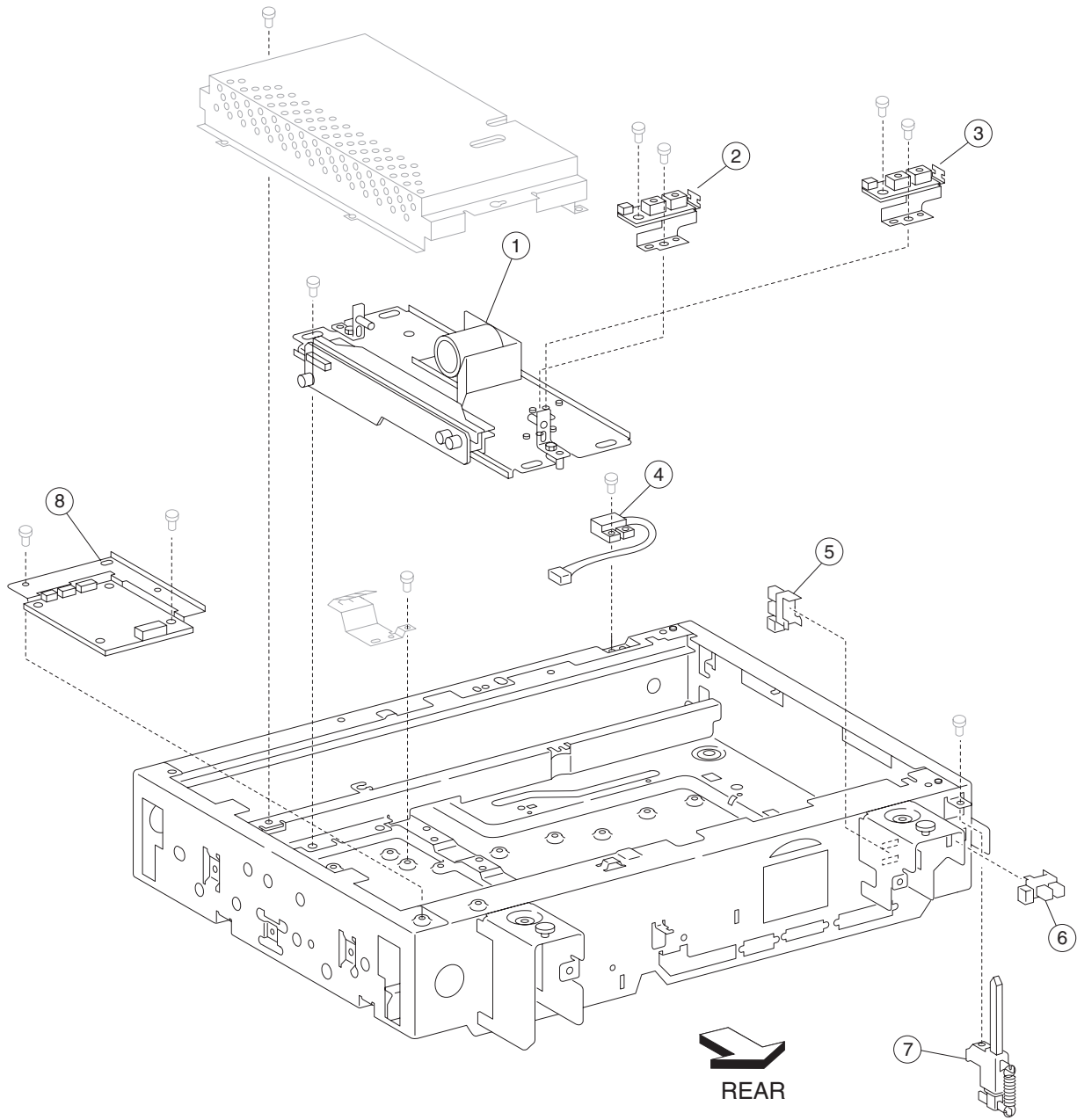
### Assembly 18: Platen glass



**Assembly 18: Platen glass**

<b>Asm Index</b>	<b>Part number</b>	<b>Units/mach</b>	<b>Units/kit or pkg</b>	<b>Description</b>
18-1	40X2208	1	1	Large platen glass
2	40X2209	1	1	Large platen glass retainer cover
3	40X2210	1	1	Scanner controller card assembly
4	40X2211	1	1	CCD ribbon cable assembly
5	40X2212	1	1	Scanner main cable assembly
6	40X2213	1	1	Small platen glass front retainer
7	40X2214	1	1	Small platen glass
8	40X2215	1	1	Small platen glass rear retainer
9	40X2216	1	1	Scanner filter
10	40X2217	4	1	Card mounting screws
11	40X2218	1	1	Large platen retainer

## Assembly 19: Lens and sensors

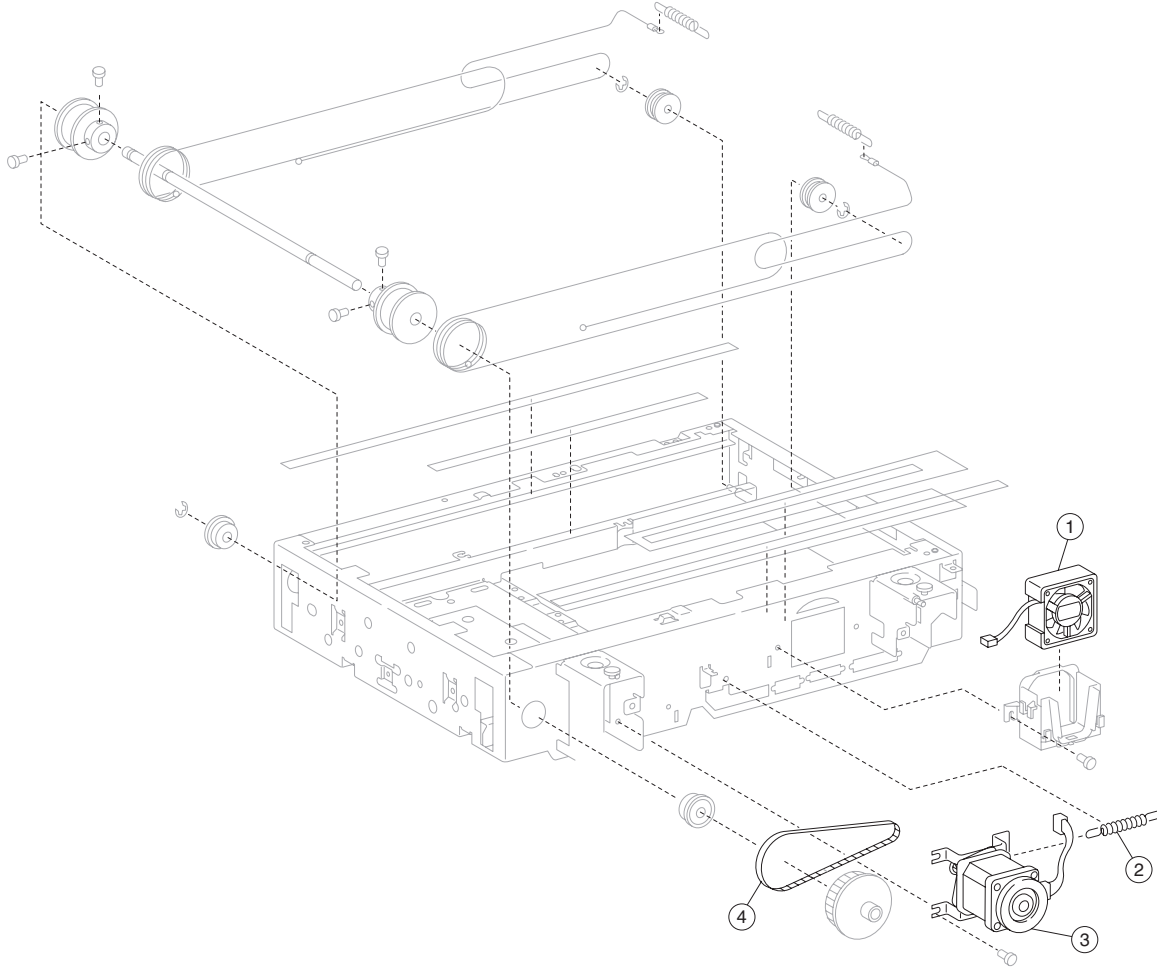




**Assembly 19: Lens and sensors**

<b>Asm Index</b>	<b>Part number</b>	<b>Units/mach</b>	<b>Units/kit or pkg</b>	<b>Description</b>
19-1	40X2220	1	1	CCD card/lens assembly
2	40X2320	2	1	Sensor (platen length APS 1)
3	40X2320	2	1	Sensor (platen length APS 2)
4	40X2222	1	1	Switch (platen interlock)
5	40X2223	13	1	Sensor (Scanner HP)
6	40X2223	13	1	Sensor (ADF angle)
7	40X2224	1	1	ADF angle actuator assembly
8	40X2225	1	1	Scanner PS card assembly

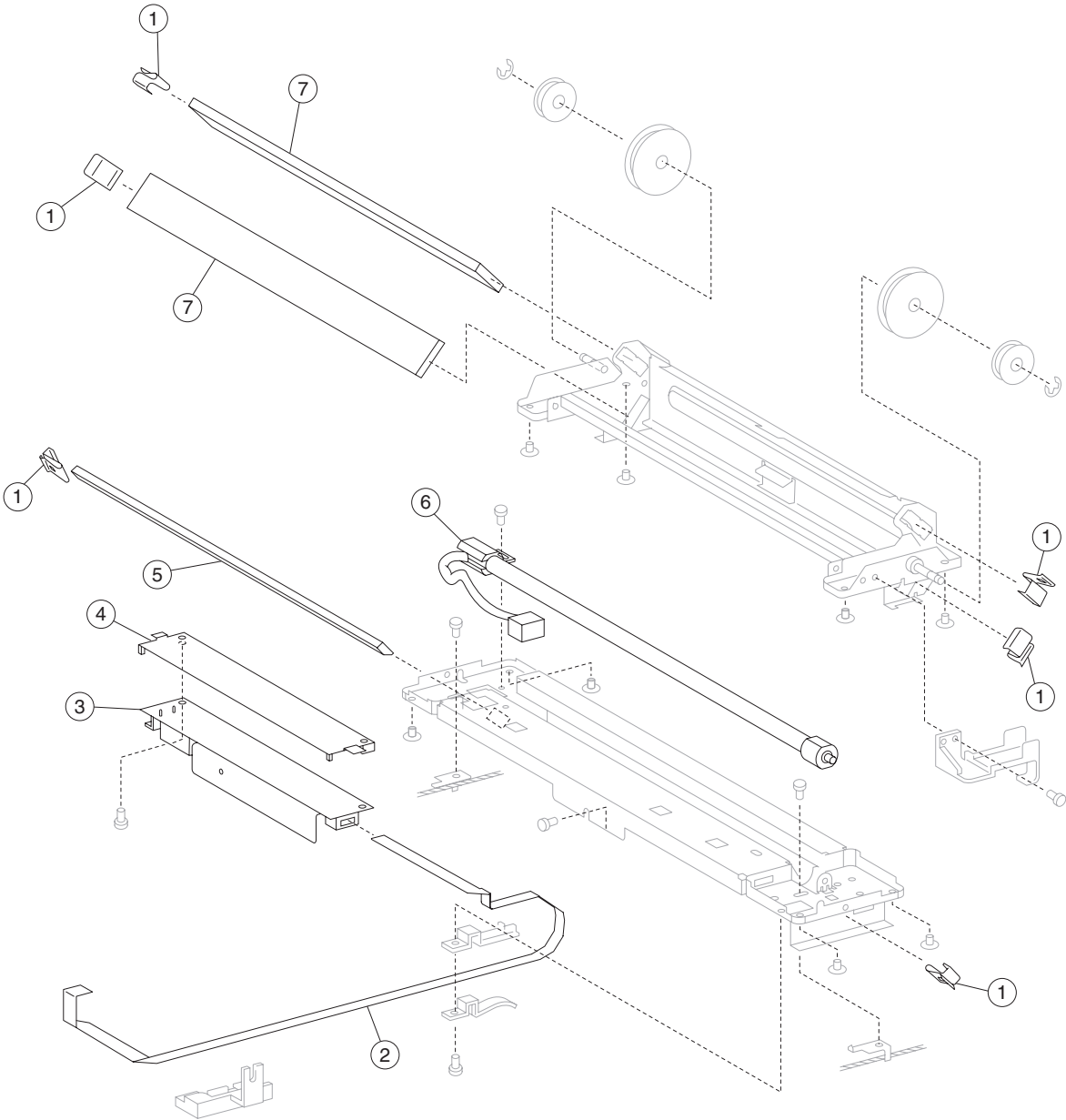
## Assembly 20: Carriage motor and cooling fan



**Assembly 20: Carriage motor and cooling fan**

<b>Asm Index</b>	<b>Part number</b>	<b>Units/mach</b>	<b>Units/kit or pkg</b>	<b>Description</b>
20-1	40X2231	1	1	Scanner cooling fan
2	40X2229	1	1	Scanner drive motor tension spring
3	40X2228	1	1	Scanner drive motor assembly
4	40X2226	1	1	Scanner drive belt

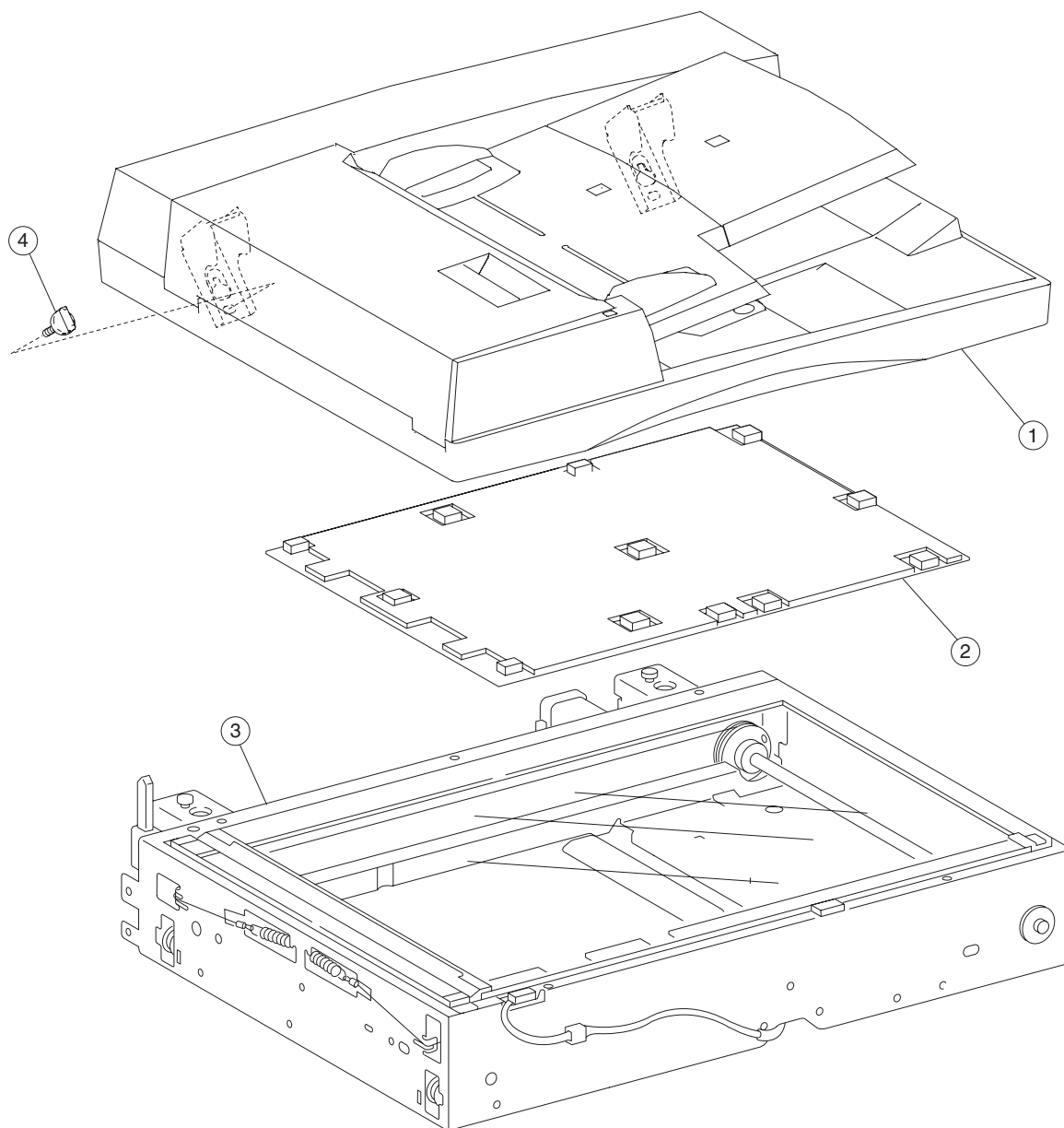
### Assembly 21: Full/half rate carriage



**Assembly 21: Full/half rate carriage**

<b>Asm Index</b>	<b>Part number</b>	<b>Units/mach</b>	<b>Units/kit or pkg</b>	<b>Description</b>
21-1	40X2233	6	1	Mirror retaining clip
2	40X2236	1	1	Exposure lamp PS ribbon cable
3	40X2353	1	1	Exposure lamp PS card assembly
4	40X2352	1	1	Exposure lamp PS card insulator
5	40X2234	1	1	Scanner 1st mirror
6	40X2237	1	1	Exposure lamp
7	40X2232	2	1	Scanner 2nd/3rd mirror

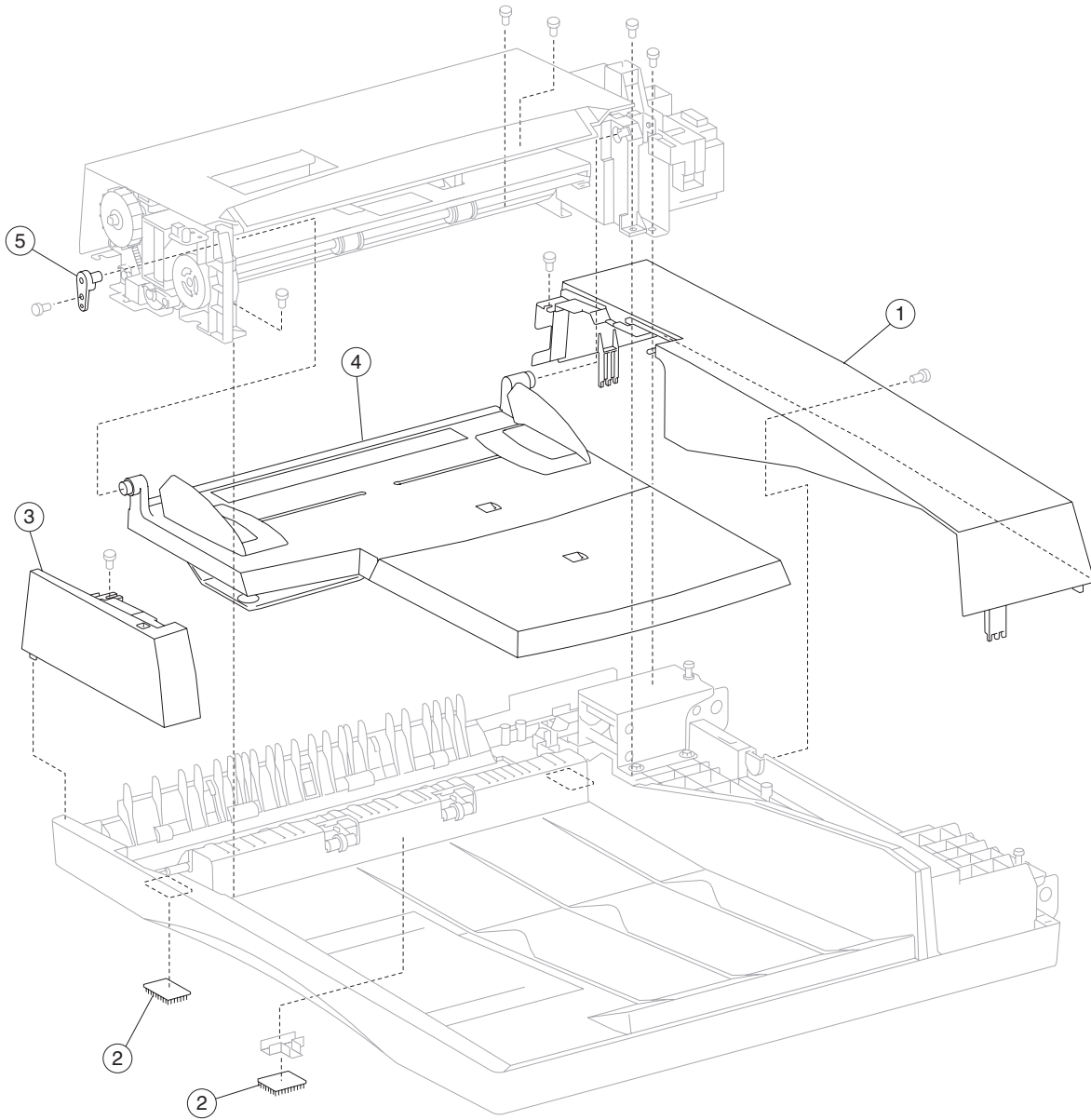
## Assembly 22: ADF assembly



**Assembly 22: ADF assembly**

<b>Asm Index</b>	<b>Part number</b>	<b>Units/mach</b>	<b>Units/kit or pkg</b>	<b>Description</b>
22-1	40X2240	1	1	ADF unit assembly (complete unit)
2	40X2239	1	1	Platen cushion
3	40X2206	1	1	Flatbed scanner unit assembly
4	40X2238	2	1	ADF mounting screw

## Assembly 23: ADF covers and components

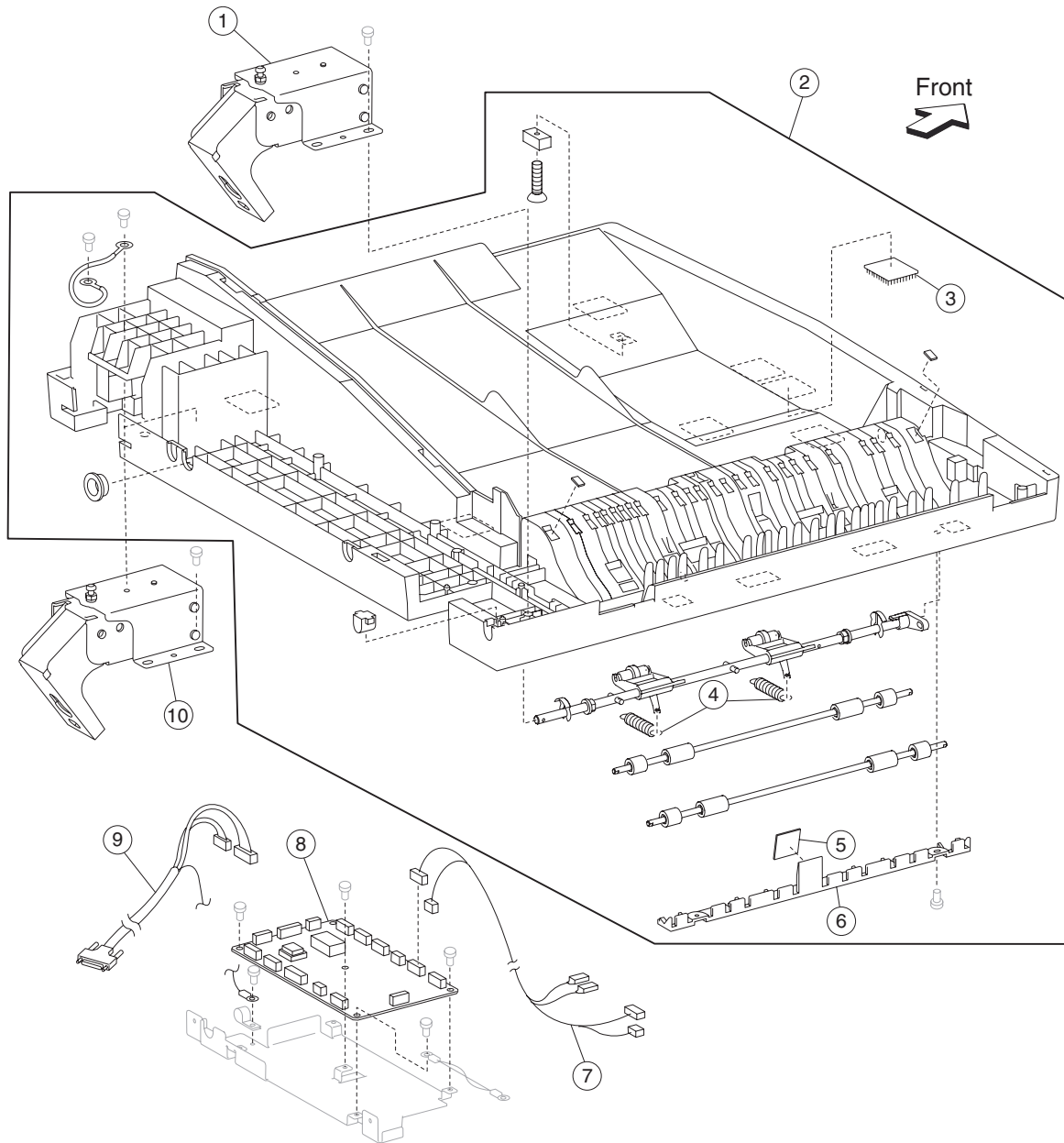




**Assembly 23: ADF covers and components**

<b>Asm Index</b>	<b>Part number</b>	<b>Units/mach</b>	<b>Units/kit or pkg</b>	<b>Description</b>
23-1	40X2244	1	1	ADF rear cover
2	40X2246	2	1	Small hook/loop strip
3	40X2245	1	1	ADF front cover assembly
4	40X2242	1	1	Document tray assembly (this comes assembled)
5	40X2243	1	1	Document tray hinge

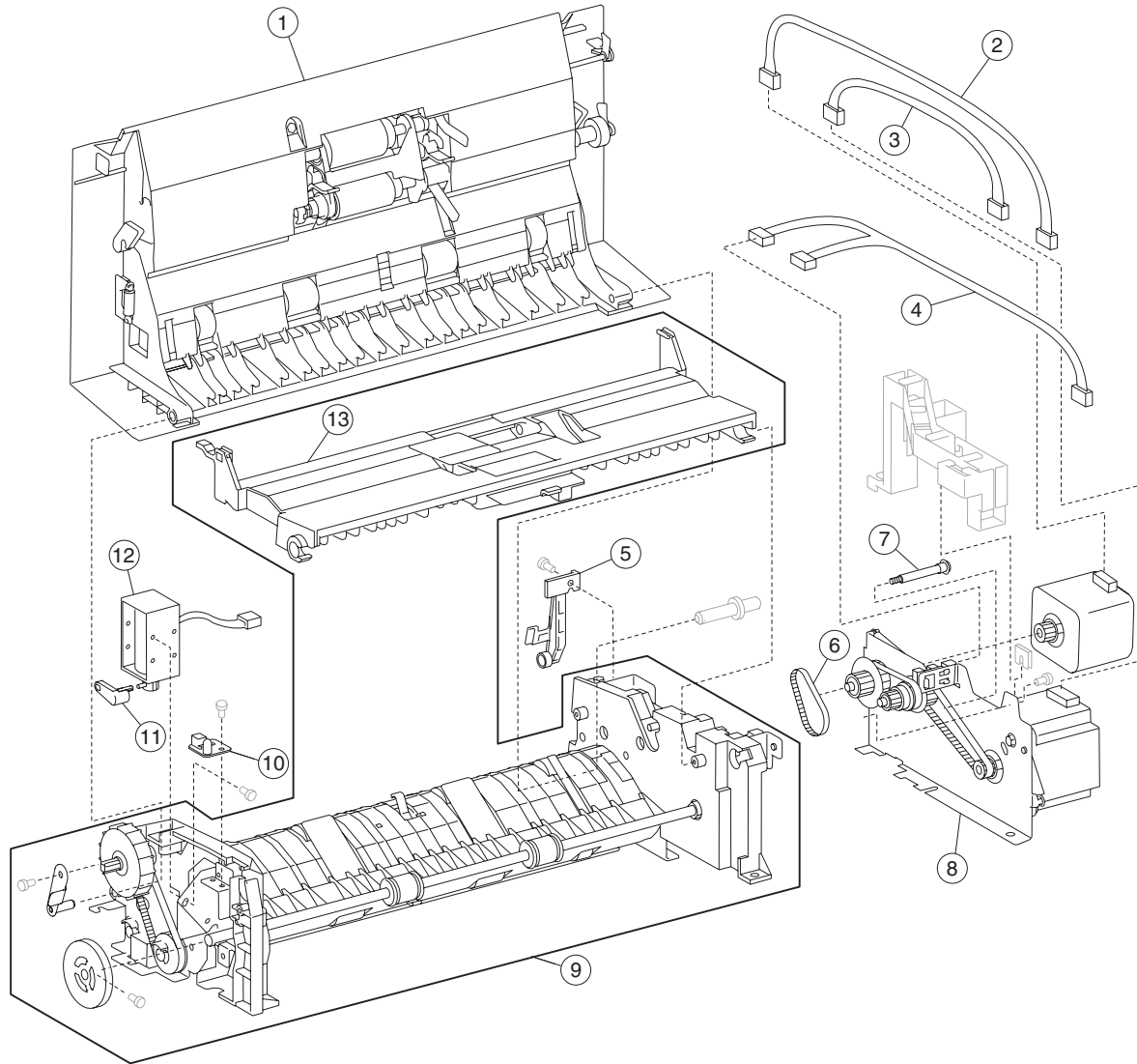
### Assembly 24: ADF base



**Assembly 24: ADF base**

<b>Asm Index</b>	<b>Part number</b>	<b>Units/mach</b>	<b>Units/kit or pkg</b>	<b>Description</b>
24-1	40X2257	1	1	ADF left hinge
2	40X2371	1	1	ADF registration pinch/frame assembly (this comes assembled)
3	40X2247	7	1	Large hook/loop strip
4	40X2330	5	1	Spring
5	40X2354	1	1	Registration pad
6	40X2355	1	1	Registration pad cover
7	40X2248	1	1	Solenoid/interlock cable assembly
8	40X2260	1	1	ADF controller card assembly
9	40X2259	1	1	ADF interface cable assembly
10	40X2258	1	1	ADF right hinge

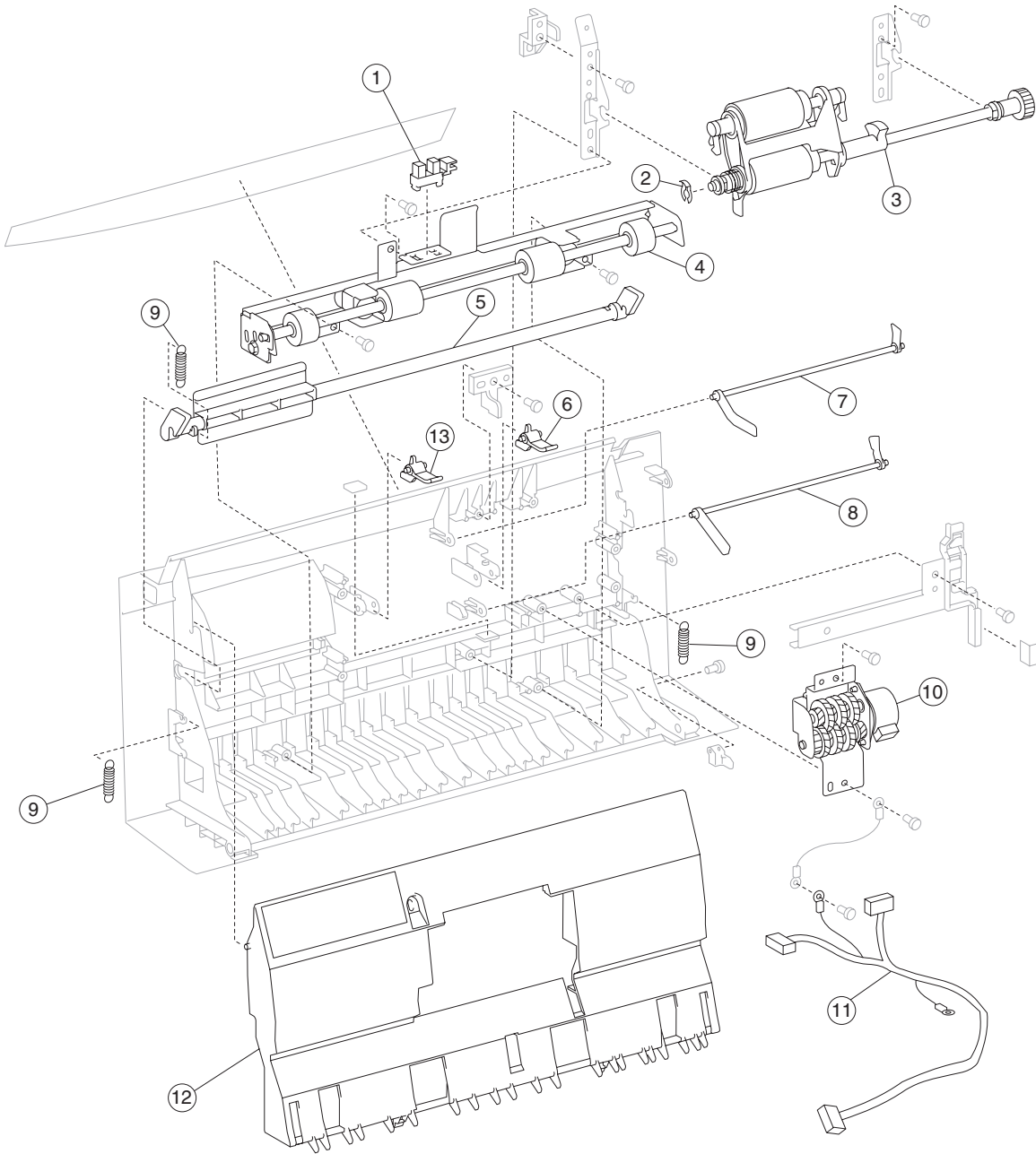
### Assembly 25: ADF feeder



**Assembly 25: ADF feeder**

<b>Asm Index</b>	<b>Part number</b>	<b>Units/mach</b>	<b>Units/kit or pkg</b>	<b>Description</b>
25-1	40X2262	1	1	ADF left cover assembly (this comes assembled)
2	40X2265	1	1	Registration motor cable assembly
3	40X2266	1	1	ADF feed motor cable assembly
4	40X2264	1	1	Document set/sheet through cable assembly
5	40X2267	1	1	Left cover hinge retainer
6	40X2270	1	1	Registration main drive belt
7	40X2269	1	1	Stud screw
8	40X2327	1	1	ADF feed motor assembly (this comes assembled)
9	40X2383	1	1	ADF main feed assembly (this comes assembled)
10	40X2272	1	1	Document set LED
11	40X2256	1	1	Inverter lever
12	40X2271	1	1	Inverter solenoid assembly
13	40X2273	1	1	Separation roll guide assembly (this comes assembled)

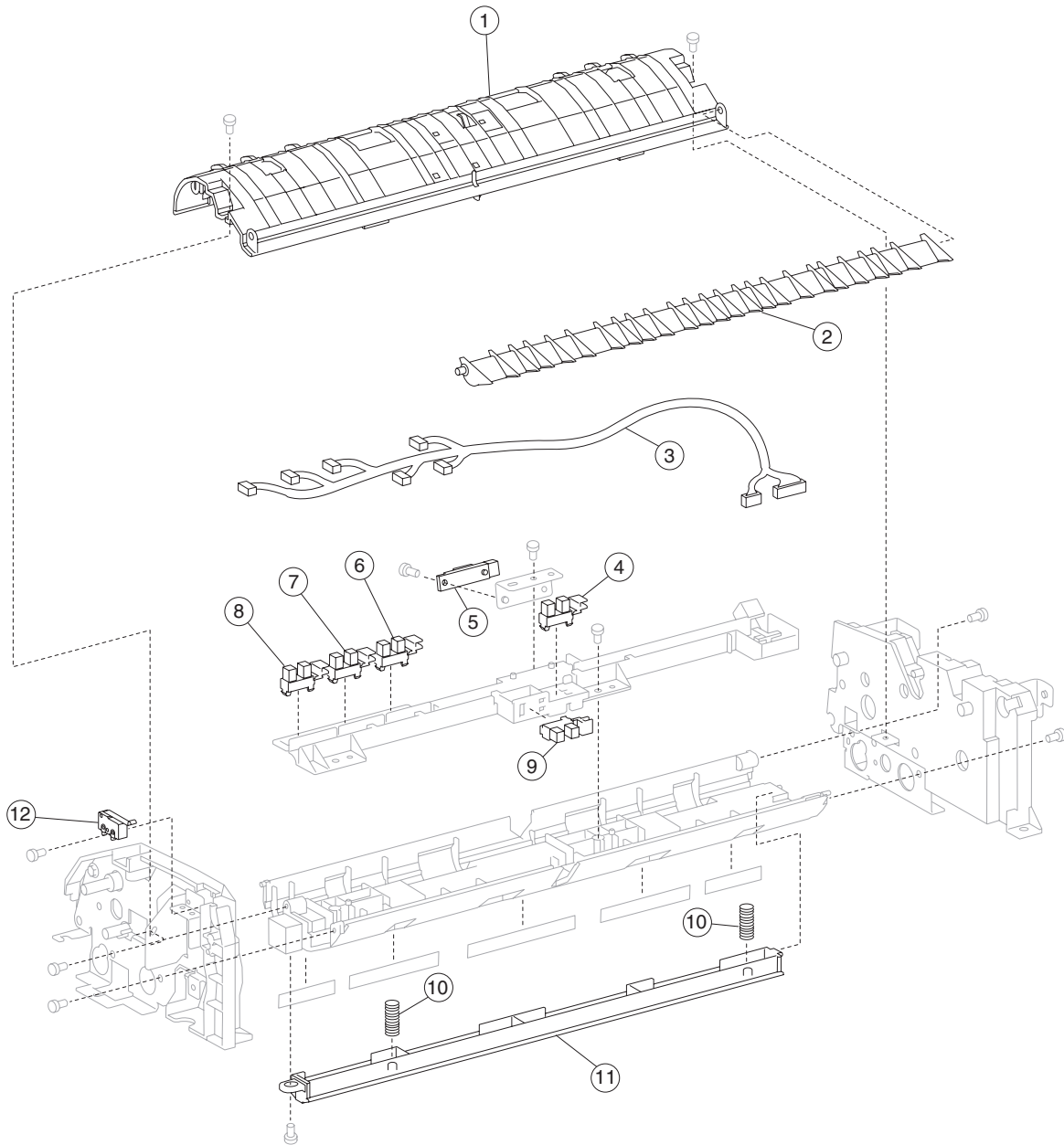
### Assembly 26: ADF left cover components



**Assembly 26: ADF left cover components**

<b>Asm Index</b>	<b>Part number</b>	<b>Units/mach</b>	<b>Units/kit or pkg</b>	<b>Description</b>
26-1	40X2223	13	1	Sensor (pick roll position HP)
2	40X2291	3	4	Plastic ring clip 6 mm
3	40X2280	1	1	ADF feed/pick roll assembly (this comes assembled)
4	40X2276	1	1	Left cover pinch roll assembly (this comes assembled)
5	40X2274	1	1	ADF left cover handle
6	40X2381	1	1	Document set rear stop
7	40X2283	1	1	Document set actuator
8	40X2275	1	1	Sheet through actuator
9	40X2330	5	1	Spring
10	40X2277	1	1	Pick roll position motor assembly
11	40X2278	1	1	Pick roll position cable assembly
12	40X2321	1	1	Left cover media guide
13	40X2279	1	1	Document set front stop

## Assembly 27: ADF media guide

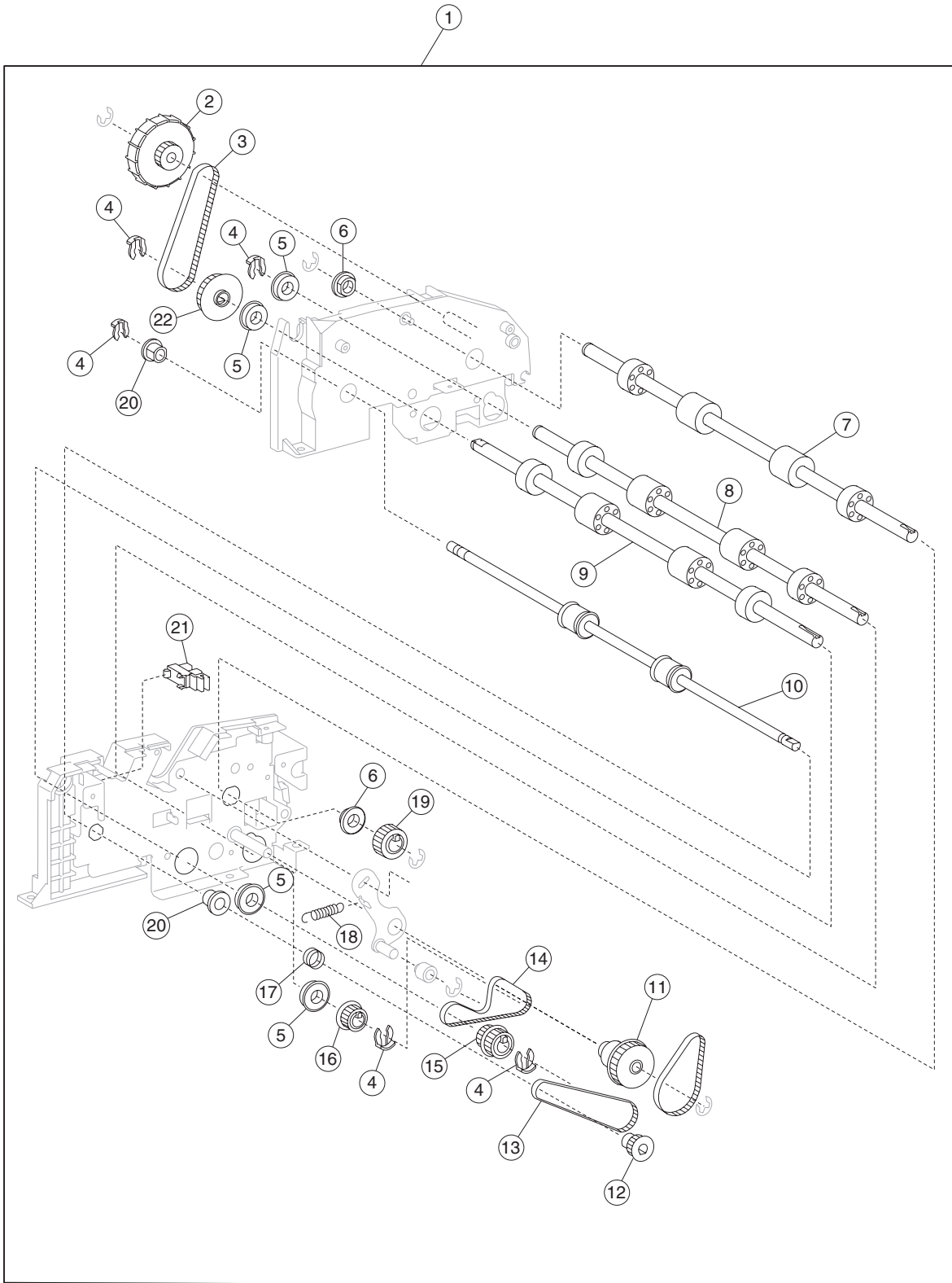




**Assembly 27: ADF media guide**

<b>Asm Index</b>	<b>Part number</b>	<b>Units/mach</b>	<b>Units/kit or pkg</b>	<b>Description</b>
27-1	40X2290	1	1	Actuator/media guide assembly (this comes assembled)
2	40X2289	1	1	Inverter gate
3	40X2288	1	1	ADF main feed cable assembly
4	40X2223	1	1	Sensor (ADF pre-registration)
5	40X0589	1	1	Sensor (ADF registration)
6	40X2223	13	1	Sensor (ADF width APS 1)
7	40X2223	13	1	Sensor (ADF width APS 2)
8	40X2223	13	1	Sensor (ADF width APS 3)
9	40X2223	13	1	Sensor (ADF inverter)
10	40X2324	2	1	Media scan guide spring
11	40X2323	1	1	Media scan guide
12	40X2286	1	1	Switch (ADF left cover interlock)

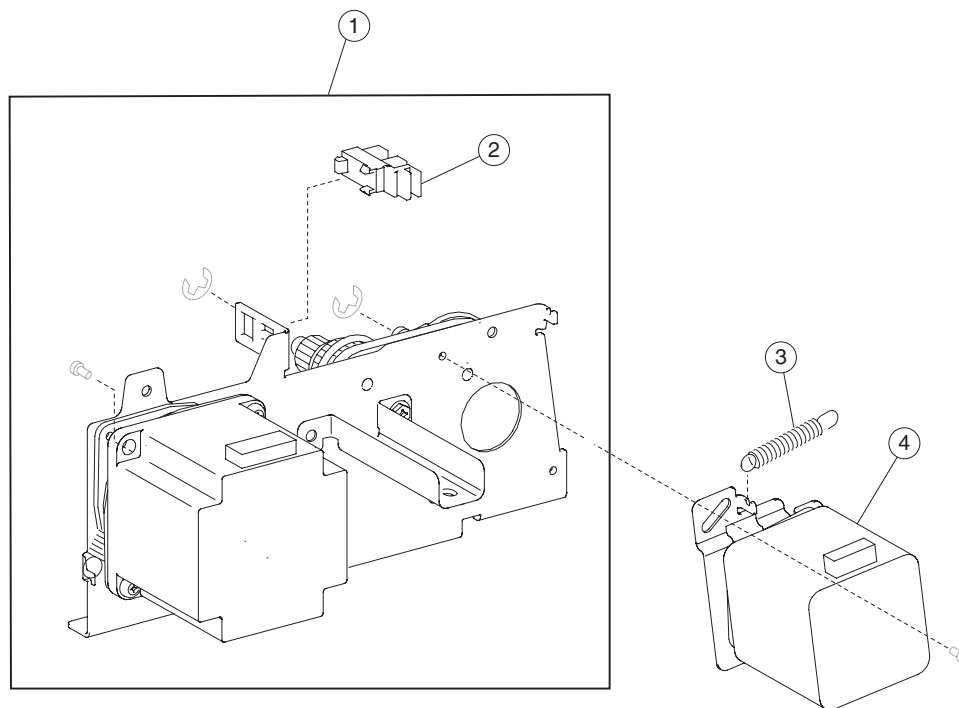
### Assembly 28: ADF feeder roll



**Assembly 28: ADF feeder roll**

Asm Index	Part number	Units/mach	Units/kit or pkg	Description
28-1	40X2383	1	1	ADF main feed assembly (this comes assembled)
2	40X2346	1	1	Manual feed drive wheel
3	40X2345	1	1	Manual feed drive belt
4	40X2291	3	4	Plastic ring clip kit includes: <ul style="list-style-type: none"> <li>• Plastic ring clip 6 mm</li> <li>• Plastic ring clip 8 mm</li> </ul>
5	40X2337	4	1	Bearing 8 mm
6	40X2339	2	1	Bushing 8 mm
7	40X2336	1	1	ADF transport roll assembly
8	40X2333	1	1	ADF registration roll assembly
9	40X2334	1	1	ADF feed-out roll assembly
10	40X2335	1	1	ADF exit roll assembly
11	40X2349	1	1	Registration main drive pulley 21/54T
12	40X2342	1	1	Exit roll drive pulley 20T
13	40X2347	1	1	Exit roll drive belt
14	40X2350	1	1	Registration secondary drive belt
15	40X2341	1	1	Exit/feed-out roll drive pulley 25/28T
16	40X2340	1	1	Registration roll drive pulley 28T
17	40X2351	1	1	Retainer spring
18	40X2348	1	1	Tension spring
19	40X2343	1	1	Transport roll drive gear 20T
20	40X2338	2	1	Bushing 6 mm
21	40X2223	13	1	Sensor (document set)
22	40X2344	1	1	Manual feed drive pulley

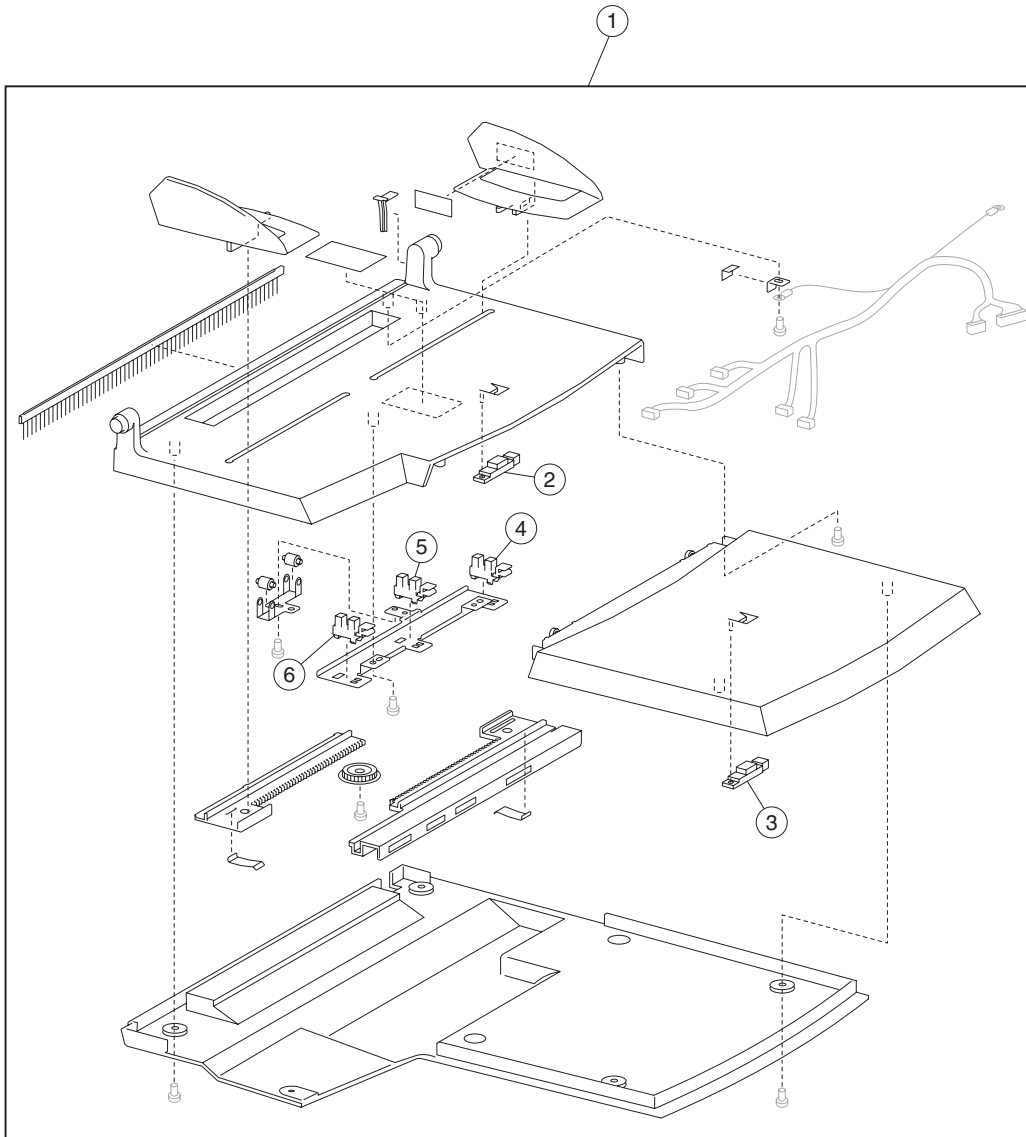
## Assembly 29: ADF motor unit



**Assembly 29: ADF motor unit**

<b>Asm Index</b>	<b>Part number</b>	<b>Units/mach</b>	<b>Units/kit or pkg</b>	<b>Description</b>
29-1	40X2327	1	1	ADF feed motor assembly (this comes assembled)
2	40X2223	13	1	Sensor (sheet through)
3	40X2326	1	1	Tension spring
4	40X2325	1	1	ADF registration motor

### Assembly 30: ADF document tray

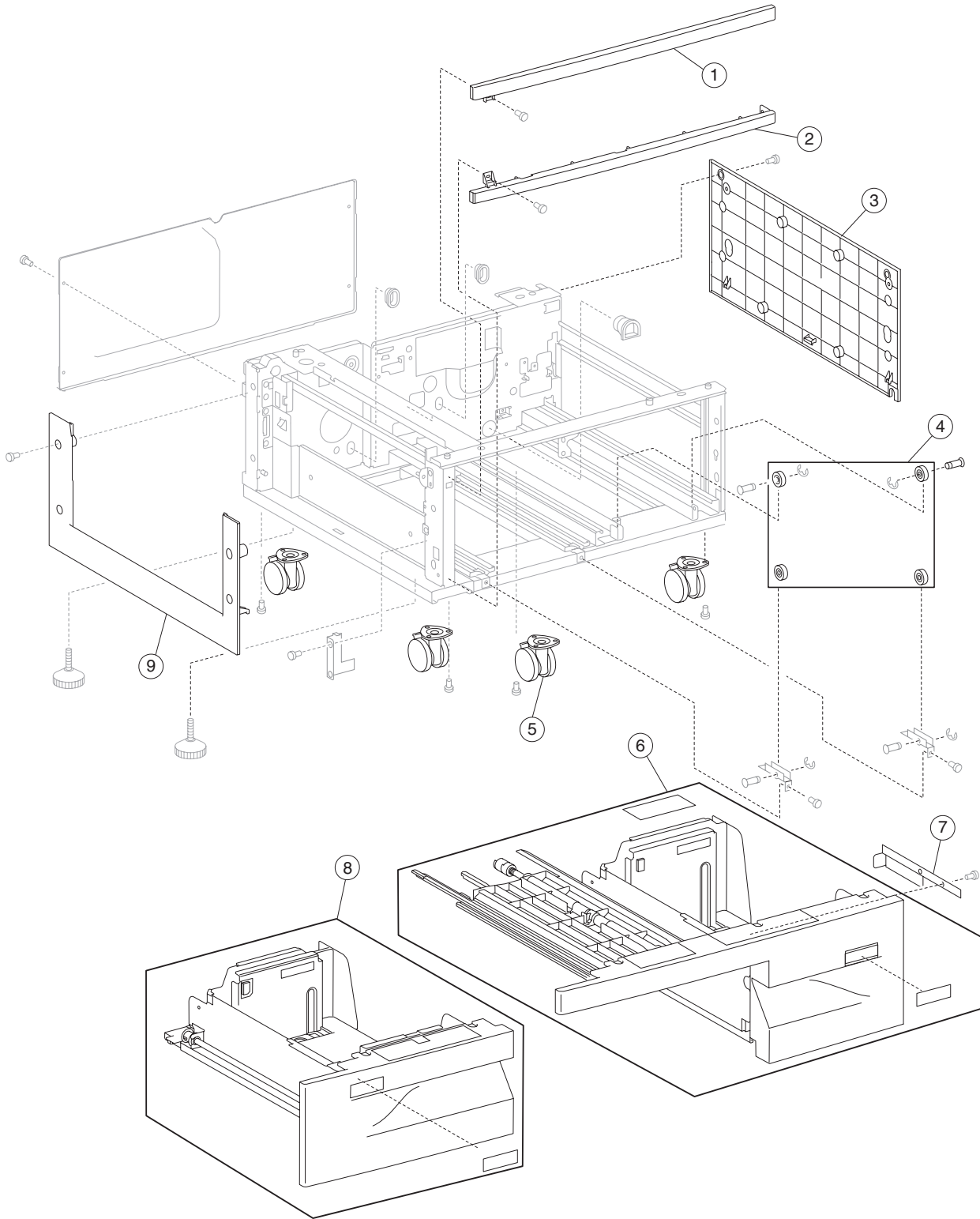


## Assembly 30: ADF document tray

Asm Index	Part number	Units/mach	Units/kit or pkg	Description
30-1	40X2242	1	1	Document tray assembly (this comes assembled)
2	40X2328	1	1	Sensor (document tray length 1)
3	40X2328	1	1	Sensor (document tray length 2)
4	40X2223	1	1	Sensor (document tray width 1)
5	40X2223	1	1	Sensor (document tray width 2)
6	40X2223	1	1	Sensor (document tray width 3)

**Note:** Assembly index items 2, 3, 4, 5 and 6 are identical sensors with different functions; therefore, they are the same part number with different descriptions.

### Assembly 31: 2000-sheet dual input (TTM)—covers

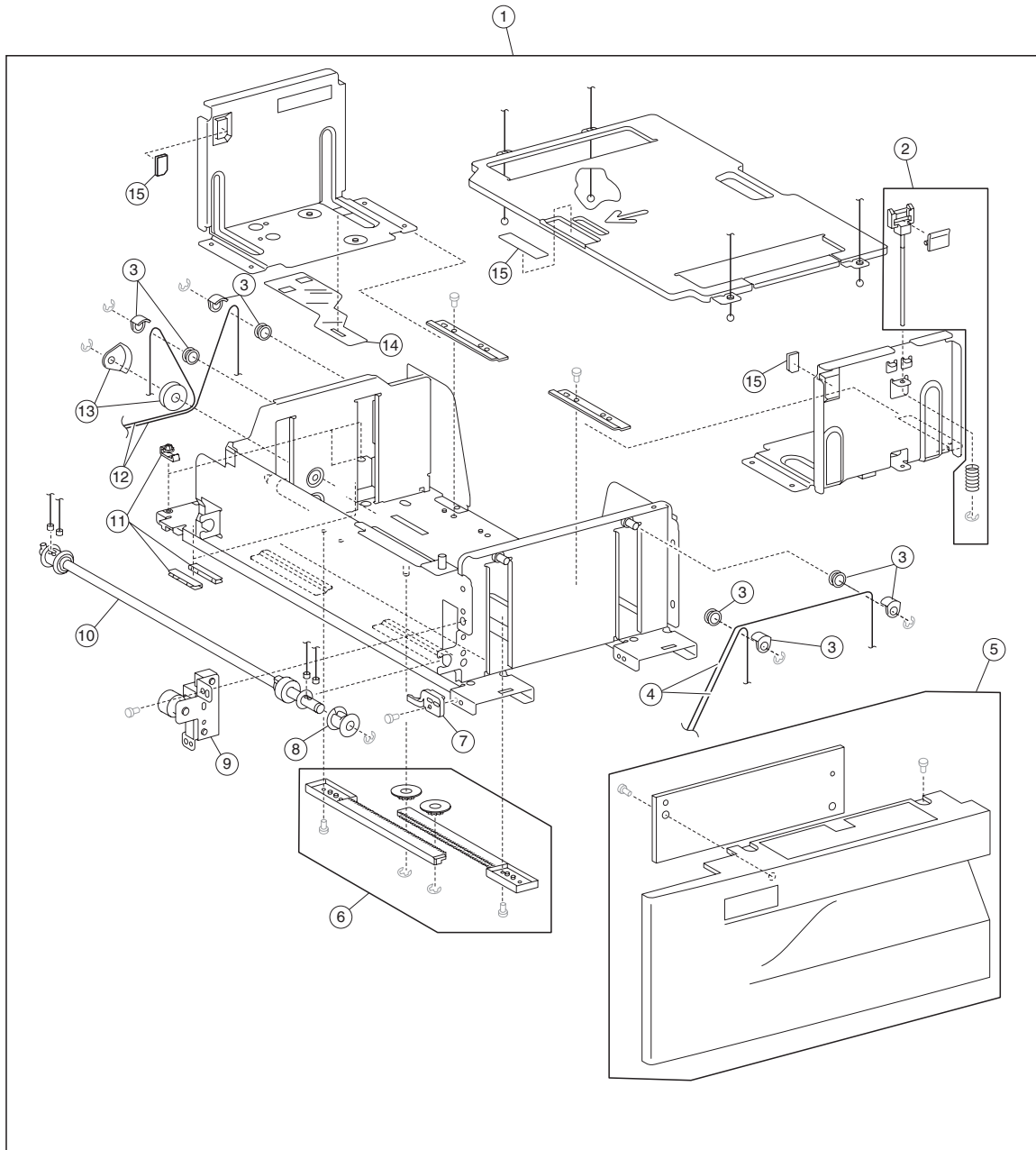




**Assembly 31: 2000-sheet dual input (TTM)—covers**

Asm-Index	Part number	Units/ option	Units/ FRU	Description
31-1	40X0687	1	1	Top cover
2	40X0688	1	1	Foot cover
3	40X0689	1	1	Right cover
4	40X0703	1	4	Tray support roll (4 each)
5	40X0691	4	1	Locking caster
6	40X0963	1	3	TTM media tray 4 assembly (this comes assembled) <ul style="list-style-type: none"> <li>• TTM media tray 4 assembly</li> <li>• Label (2 each)</li> </ul>
7	40X0704	1	1	Tray 4 stopper
8	40X0962	1	2	TTM media tray 3 assembly (this comes assembled) <ul style="list-style-type: none"> <li>• TTM media tray 3 assembly</li> <li>• Label</li> </ul>
9	40X0690	1	1	Left cover

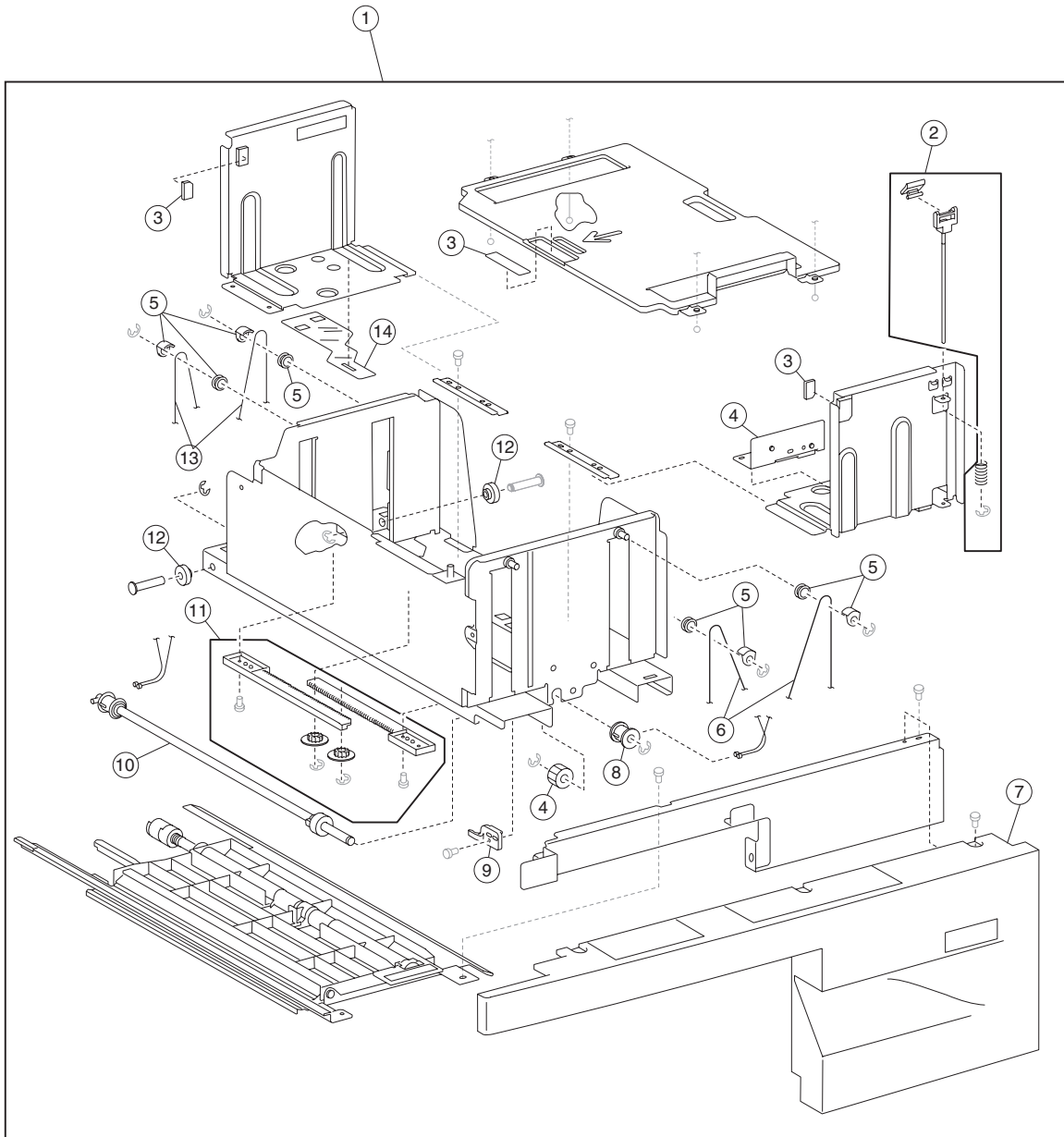
### Assembly 32: 2000-sheet dual input (TTM)—tray 3



## Assembly 32: 2000-sheet dual input (TTM)—tray 3

Asm-Index	Part number	Units/ option	Units/ FRU	Description
32-1	40X0962	1	3	TTM media tray 3 assembly (this comes assembled) <ul style="list-style-type: none"> <li>• TTM media tray 3 assembly</li> <li>• Label (2 each)</li> </ul>
2	40X0712	1	3	Tray 3 media guide lock kit includes: <ul style="list-style-type: none"> <li>• Tray 3 media guide lock button</li> <li>• Tray 3 media guide lock shaft</li> <li>• Spring</li> </ul>
3	40X0953	2	8	TTM tray lift pulley kit includes: <ul style="list-style-type: none"> <li>• TTM tray lift pulley (4 each)</li> <li>• Pulley guide (4 each)</li> </ul>
4	40X0710	1	2	Tray 3 front cable (2 each)
5	40X0705	1	2	Tray 3 front cover kit includes: <ul style="list-style-type: none"> <li>• Tray 3 front cover</li> <li>• Tray 3 tray handle</li> </ul>
6	40X0713	2	4	Media guide rack and pinion kit includes: <ul style="list-style-type: none"> <li>• Media guide rack gear (2 each)</li> <li>• Media guide pinion gear (2 each)</li> </ul>
7	40X0714	2	1	TTM media tray catch
8	40X0706	2	1	Lift cable pulley
9	40X0715	1	1	Tray 3 brake assembly
10	40X0707	2	1	Tray lift shaft assembly
11	40X0716	1	4	Tray 3 slide kit includes: <ul style="list-style-type: none"> <li>• Tray 3 slide strip (2 each)</li> <li>• Tray 3 slide button (2 each)</li> </ul>
12	40X0709	1	2	Tray 3 rear cable (2 each)
13	40X0708	2	2	Large idler pulley kit includes: <ul style="list-style-type: none"> <li>• Large idler pulley</li> <li>• Large idler guide</li> </ul>
14	40X0717	2	1	Mylar actuator
15	40X0711	2	3	TTM tray separator kit includes: <ul style="list-style-type: none"> <li>• TTM tray separation pad</li> <li>• TTM tray brush (2 each)</li> </ul>

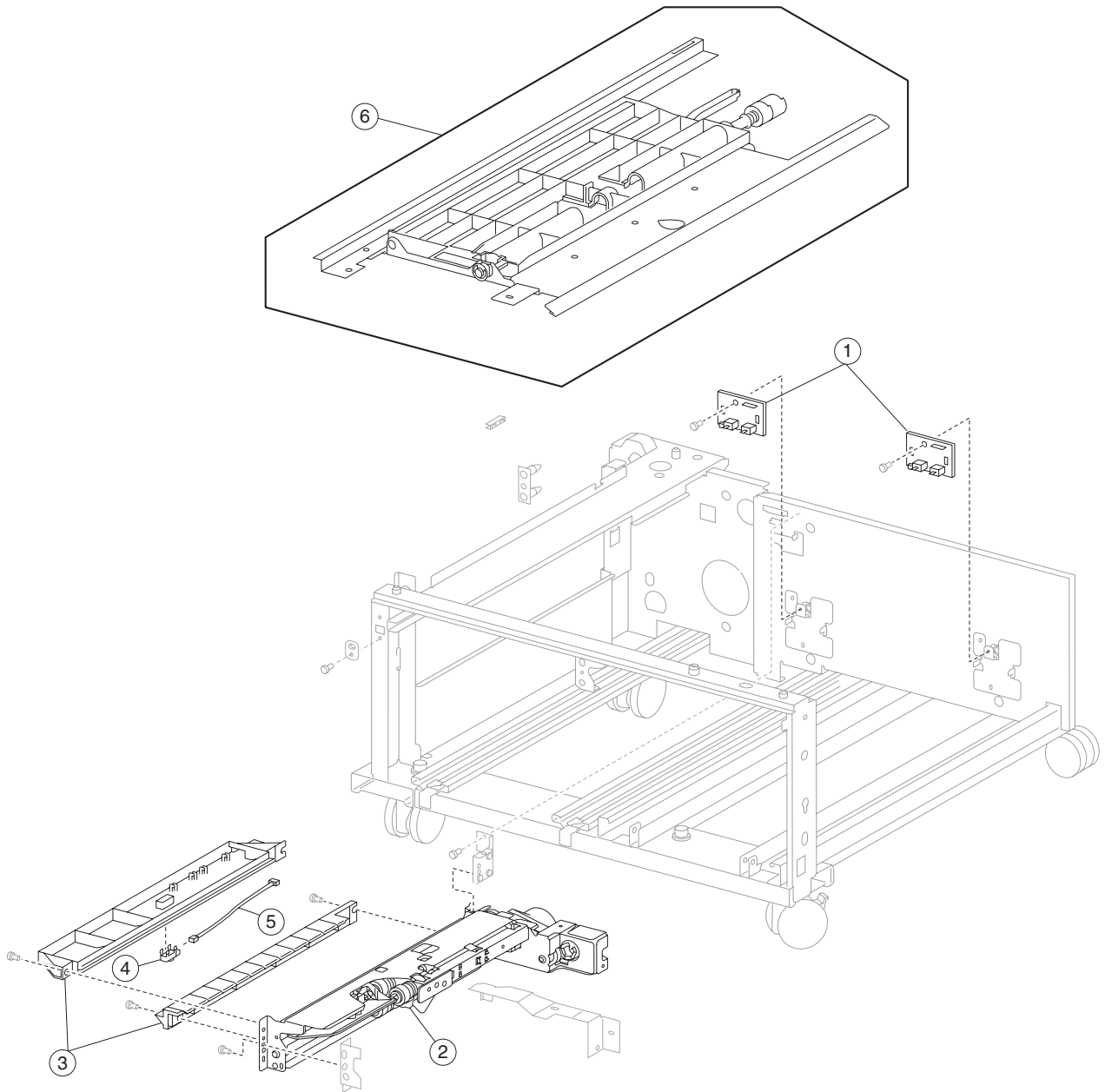
### Assembly 33: 2000-sheet dual input (TTM)—tray 4



### Assembly 33: 2000-sheet dual input (TTM)—tray 4

Asm-Index	Part number	Units/option	Units/FRU	Description
33-1	40X0963	1	2	TTM media tray 4 assembly (this comes assembled) <ul style="list-style-type: none"> <li>• TTM media tray 4 assembly</li> <li>• Label</li> </ul>
2	40X0721	1	3	Tray 4 media guide lock kit includes: <ul style="list-style-type: none"> <li>• Tray 4 media guide lock button</li> <li>• Tray 4 media guide lock shaft</li> <li>• Spring</li> </ul>
3	40X0711	2	3	TTM Tray separator kit includes: <ul style="list-style-type: none"> <li>• TTM tray separation pad</li> <li>• TTM tray brush (2 each)</li> </ul>
4	40X0722	1	2	Tray 4 brake kit includes: <ul style="list-style-type: none"> <li>• Tray 4 brake assembly</li> <li>• Tray 4 brake gear 18T</li> </ul>
5	40X0953	2	8	TTM tray lift pulley kit includes: <ul style="list-style-type: none"> <li>• TTM tray lift pulley (4 each)</li> <li>• Pulley guide (4 each)</li> </ul>
6	40X0720	1	2	Tray 4 front cable (2 each)
7	40X0718	1	1	Tray 4 front cover
8	40X0706	2	1	Lift cable pulley
9	40X0714	2	1	TTM media tray catch
10	40X0707	2	1	Tray lift shaft assembly
11	40X0713	2	4	Media guide rack and pinion kit includes: <ul style="list-style-type: none"> <li>• Media guide rack gear (2 each)</li> <li>• Media guide pinion gear (2 each)</li> </ul>
12	40X0723	1	2	Tray 4 rear support roll (2 each)
13	40X0719	1	2	Tray 4 rear cable (2 each)
14	40X0717	2	1	Mylar actuator

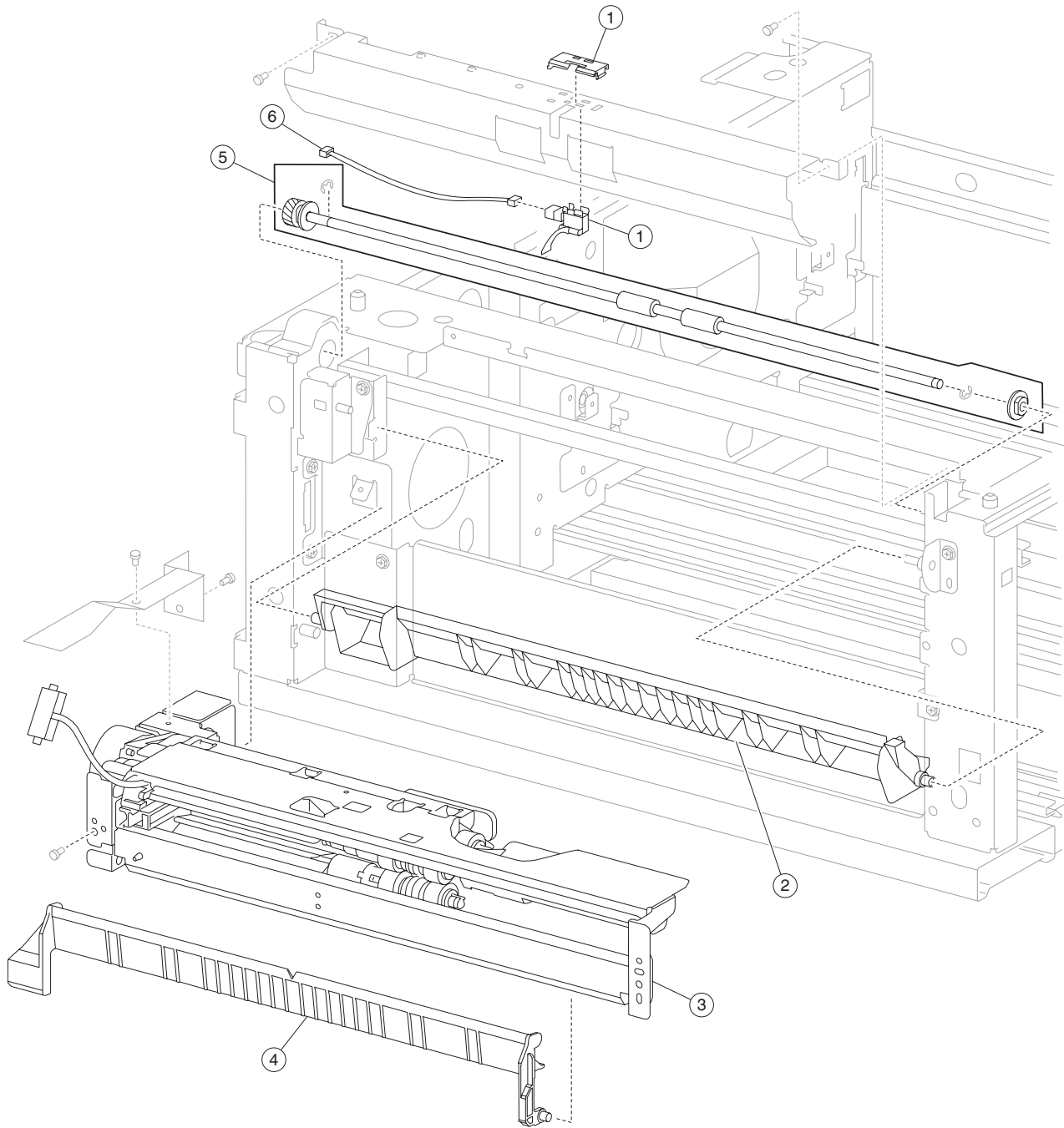
### Assembly 34: 2000-sheet dual input (TTM)—feed and transport



**Assembly 34: 2000-sheet dual input (TTM)—feed and transport**

<b>Asm-Index</b>	<b>Part number</b>	<b>Units/option</b>	<b>Units/FRU</b>	<b>Description</b>
34-1	40X0729	2	1	Switch (TTM media size switch)
2	40X0581	2	1	Media feed unit assembly (this comes assembled)
3	40X0728	1	2	Tray 4 media guide kit includes: <ul style="list-style-type: none"> <li>• Tray 4 upper media guide</li> <li>• Tray 4 lower media guide</li> </ul>
4	40X0727	1	1	Sensor (tray 4 feed-out)
5	40X0730	1	1	Tray 4 feed-out sensor cable assembly
6	40X0724	1	1	Tray 4 media transport assembly

### Assembly 35: 2000-sheet dual input (TTM)—feed and transport

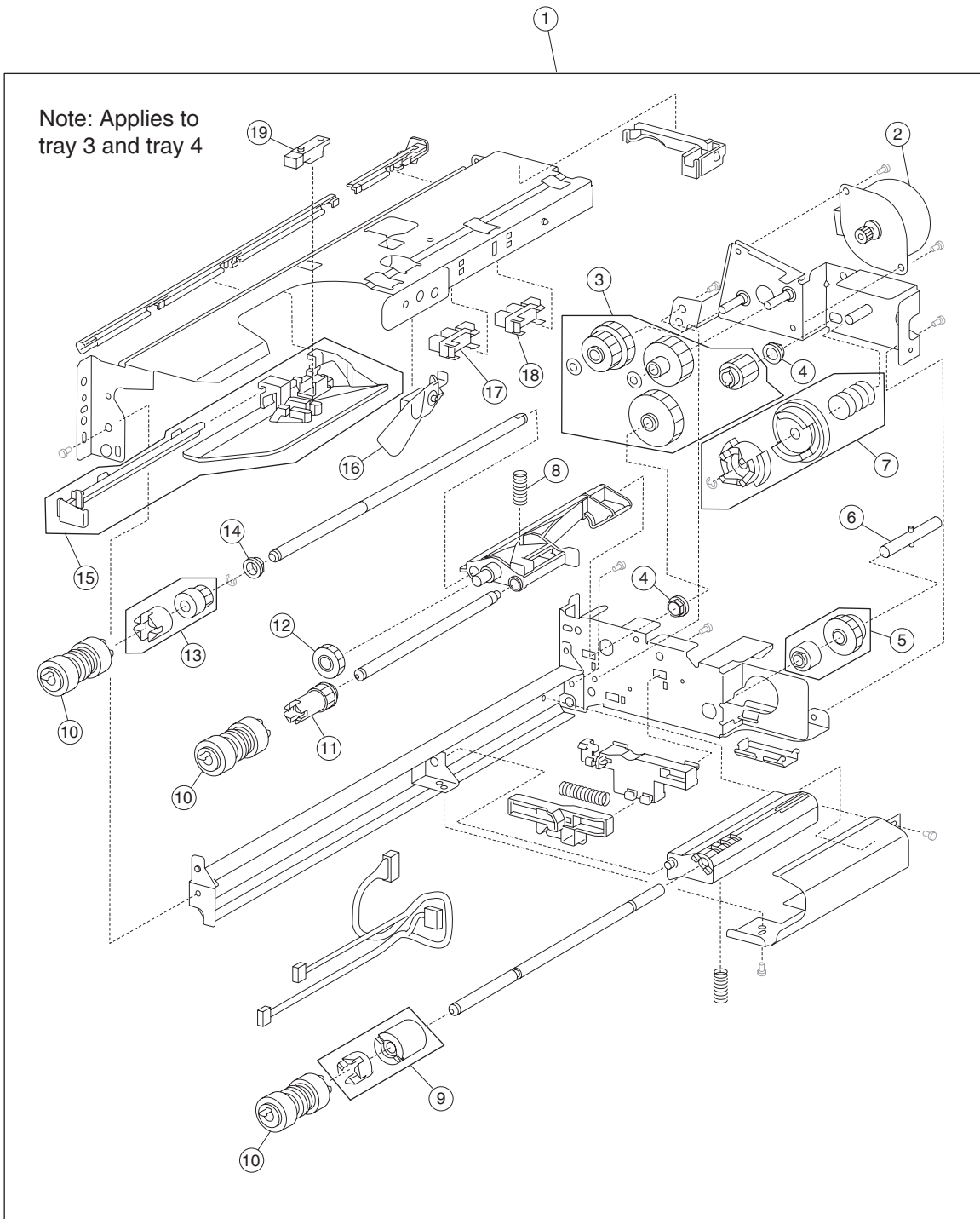




**Assembly 35: 2000-sheet dual input (TTM)—feed and transport**

Asm-Index	Part number	Units/ option	Units/ FRU	Description
35-1	40X0692	1	2	Sensor (tray 3 feed-out) kit includes: <ul style="list-style-type: none"> <li>• Sensor (tray 3 feed-out)</li> <li>• Sensor protector</li> </ul>
2	40X0732	1	1	Upper vertical turn guide
3	40X0581	2	1	Media feed unit assembly (this comes assembled)
4	40X0572	1	1	Vertical turn guide
5	40X0695	1	2	2TM/TTM media transport roll assembly kit includes: <ul style="list-style-type: none"> <li>• 2TM/TTM media transport roll assembly</li> <li>• Bushing 8 mm</li> </ul>
6	40X0693	1	2	Sensor cable kit includes: <ul style="list-style-type: none"> <li>• Tray 3 feed-out sensor cable</li> <li>• Tray 4 feed-out sensor cable</li> </ul>

### Assembly 36: 2000-sheet dual input (TTM)—media feed unit

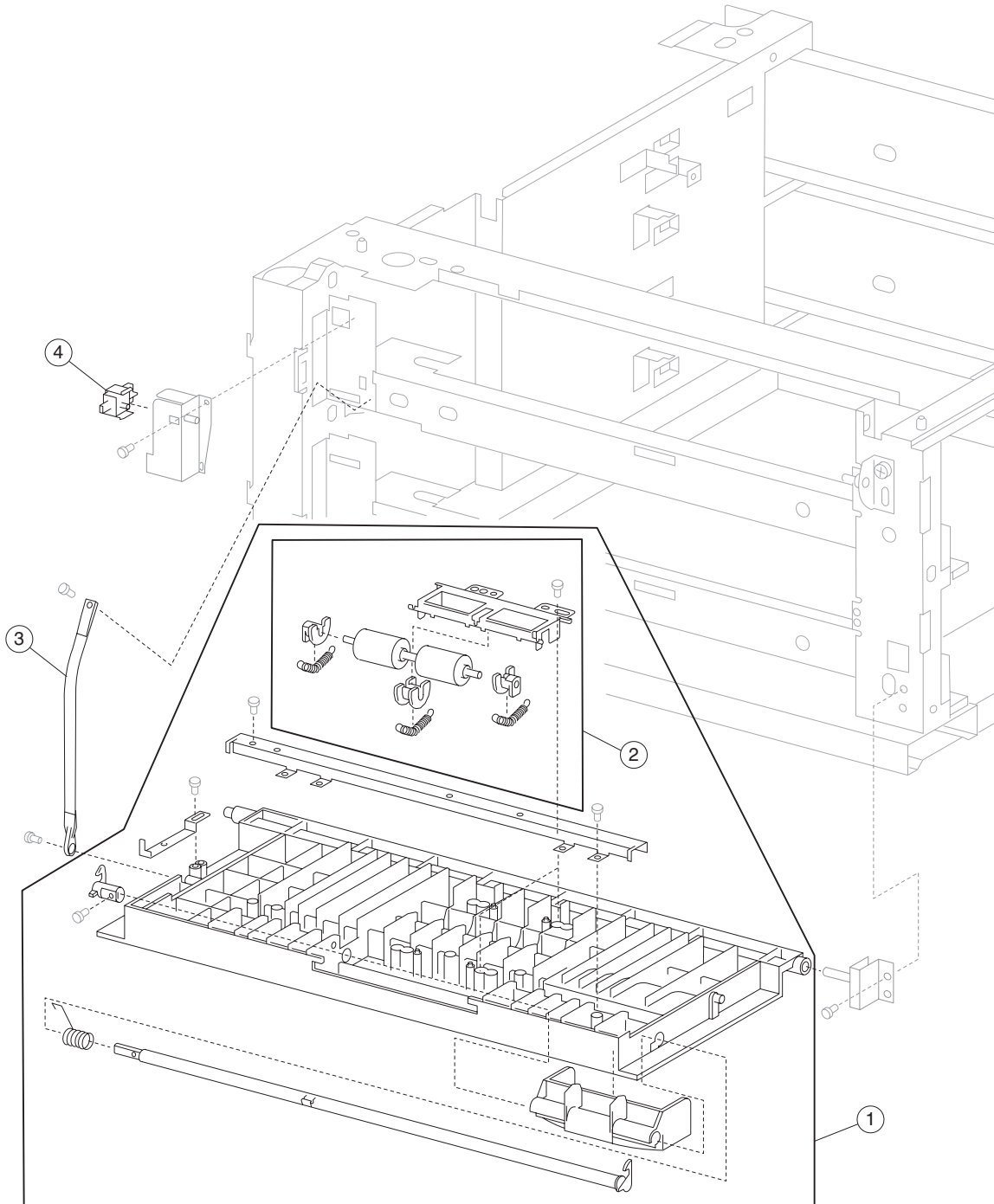


## Assembly 36: 2000-sheet dual input (TTM)—media feed unit

Asm-Index	Part number	Units/ option	Units/ FRU	Description
36-1	40X0581	2	1	Media feed unit assembly (this comes assembled)
2	40X0582	2	1	Media feed lift motor
3	40X0585	2	6	Media feed drive gear kit includes: <ul style="list-style-type: none"> <li>• Media feed unit drive gear 13T</li> <li>• Media feed unit drive gear 28/21T</li> <li>• Media feed unit drive gear 29T</li> <li>• Media feed unit drive gear 27T</li> <li>• 2 mm washer (2 each)</li> </ul> <b>Note:</b> The graphic on the previous page, shows two #3 callouts. These callouts are the items that make up the media feed drive gear kit.
4	40X0880	2	1	Bushing 6 mm
5	40X0967	2	2	Media tray lift one-way clutch/gear kit includes: <ul style="list-style-type: none"> <li>• Media tray lift one-way clutch</li> <li>• Media tray lift one-way gear</li> </ul>
6	40X0968	2	1	Media tray lift one-way shaft
7	40X0583	2	3	Tray lift coupling kit includes: <ul style="list-style-type: none"> <li>• Tray lift coupling</li> <li>• Tray lift coupling gear 31T</li> <li>• Spring</li> </ul>
8	40X0590	2	1	Pick roll assembly spring
9	40X0593	2	2	Separation roll friction clutch kit includes: <ul style="list-style-type: none"> <li>• Separation roll one-way friction clutch</li> <li>• Separation roll spacer</li> </ul>
10	40X0594	2	3	Feed unit roll kit includes: <ul style="list-style-type: none"> <li>• Feed roll</li> <li>• Pick roll</li> <li>• Separation roll</li> </ul>
11	40X0970	2	1	Pick roll drive gear
12	40X0969	2	1	Pick roll idler gear
13	40X0591	2	2	Feed roll one-way clutch kit includes: <ul style="list-style-type: none"> <li>• Feed roll one-way clutch</li> <li>• Feed roll one-way gear 22T</li> </ul>
14	40X0952	2	1	Bushing 6 mm
15	40X0586	2	2	Media feed unit front guide kit includes: <ul style="list-style-type: none"> <li>• Media feed unit front guide</li> <li>• Media feed unit front guide rail</li> </ul>
16	40X0587	2	1	Media out actuator
17	40X0588	2	1	Sensor (media out)
18	40X0588	2	1	Sensor (media level)
19	40X0589	2	1	Sensor (pre-feed)

**Note:** Assembly index items 17 and 18 are identical sensors with different functions; therefore, they are the same part number with different descriptions.

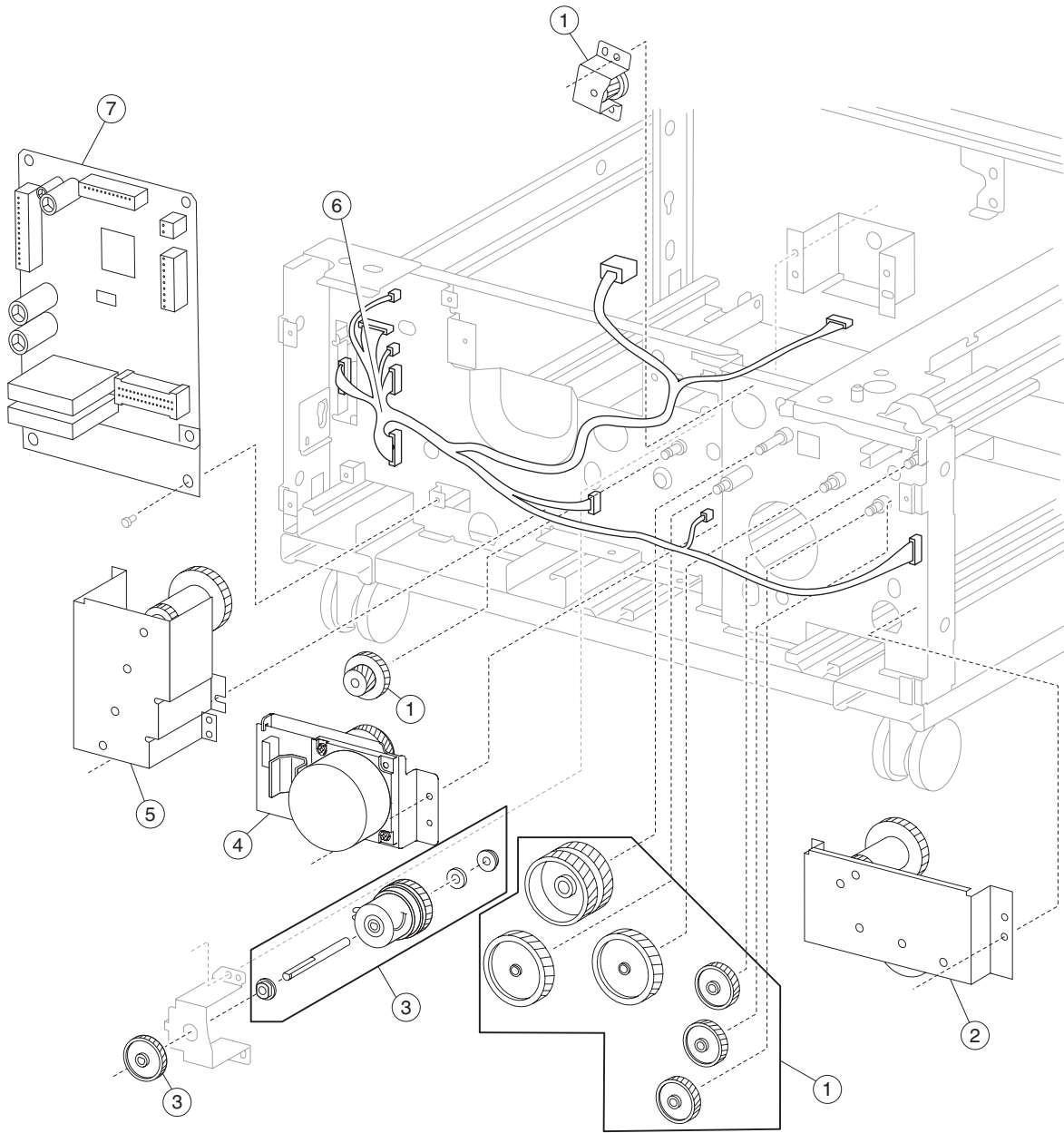
### Assembly 37: 2000-sheet dual input (TTM)—left door



**Assembly 37: 2000-sheet dual input (TTM)—left door**

<b>Asm-Index</b>	<b>Part number</b>	<b>Units/ option</b>	<b>Units/ FRU</b>	<b>Description</b>
37-1	40X0733	1	1	2TM/TTM left door assembly (this comes assembled)
2	40X0696	1	1	2TM/TTM left door pinch assembly (this comes assembled)
3	40X0697	1	1	2TM/TTM left door support strap
4	40X0610	1	1	Switch (2TM/TTM left door interlock)

### Assembly 38: 2000-sheet dual input (TTM)—drive and electrical



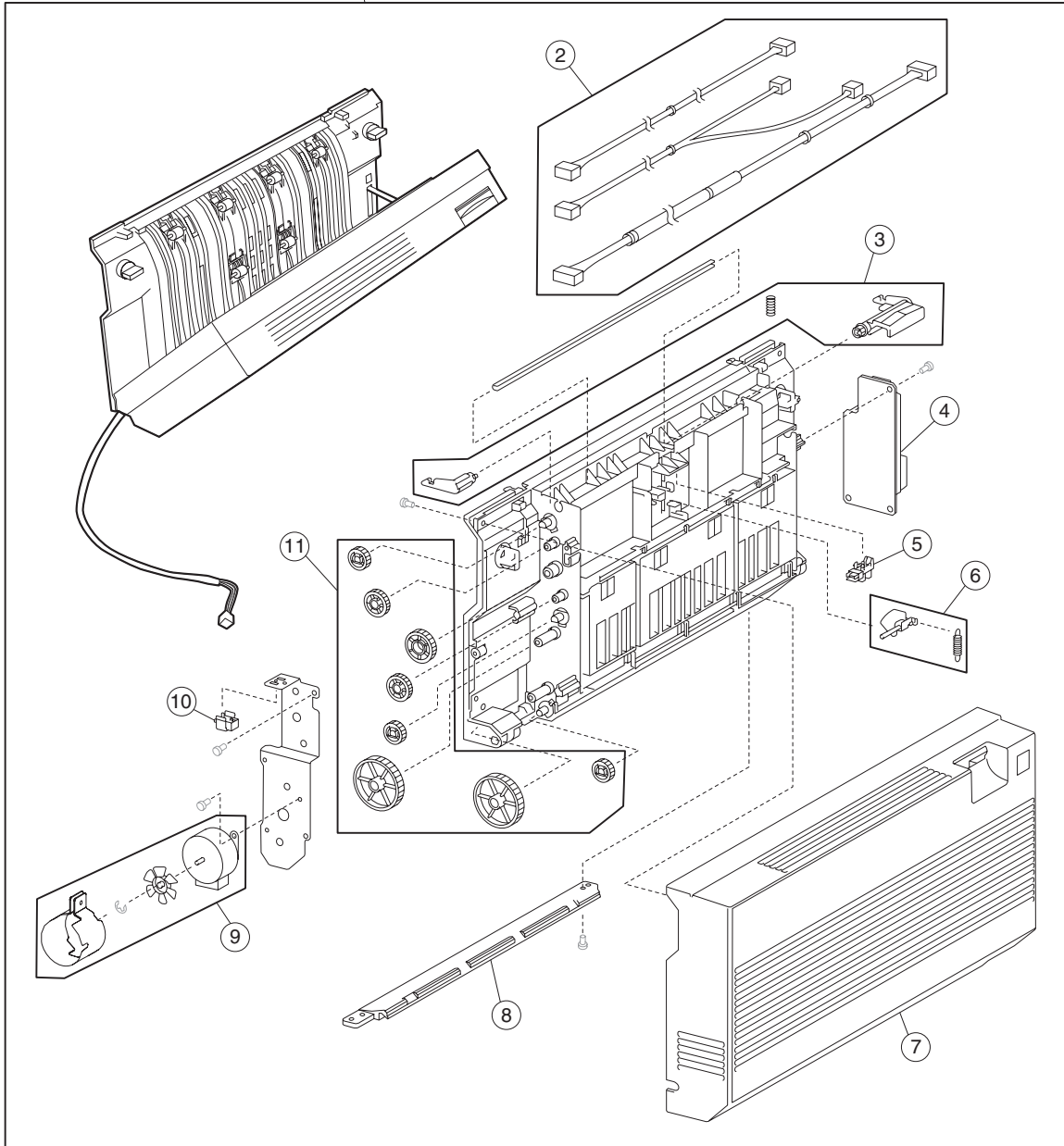
**Assembly 38: 2000-sheet dual input (TTM)—drive and electrical**

Asm-Index	Part number	Units/ option	Units/ FRU	Description
38-1	40X0736	1	8	TTM drive gear kit includes: <ul style="list-style-type: none"> <li>• TTM drive gear 22/40T</li> <li>• TTM drive gear 37T (2 each)</li> <li>• TTM drive gear 32T</li> <li>• TTM drive gear 60T (2 each)</li> <li>• TTM drive gear 60T</li> <li>• TTM drive gear bracket assembly</li> </ul>
2	40X0734	1	1	Tray 3 lift gear assembly
3	40X0699	1	6	2TM/TTM clutch kit includes: <ul style="list-style-type: none"> <li>• 2TM/TTM clutch assembly</li> <li>• Shaft</li> <li>• Bushing 8 mm</li> <li>• Clutch gear 38T</li> <li>• Bushing 8 mm</li> <li>• Washer</li> </ul>
4	40X3664	1	1	2TM/TTM drive motor
5	40X0735	1	1	Tray 4 lift gear assembly
6	40X3666	1	1	TTM main cable assembly
7	40X2735	1	1	2TM/TTM controller card assembly

## Assembly 39: Duplex outer

1

Note: This assembly includes everything on pages 7-80 and 7-82.



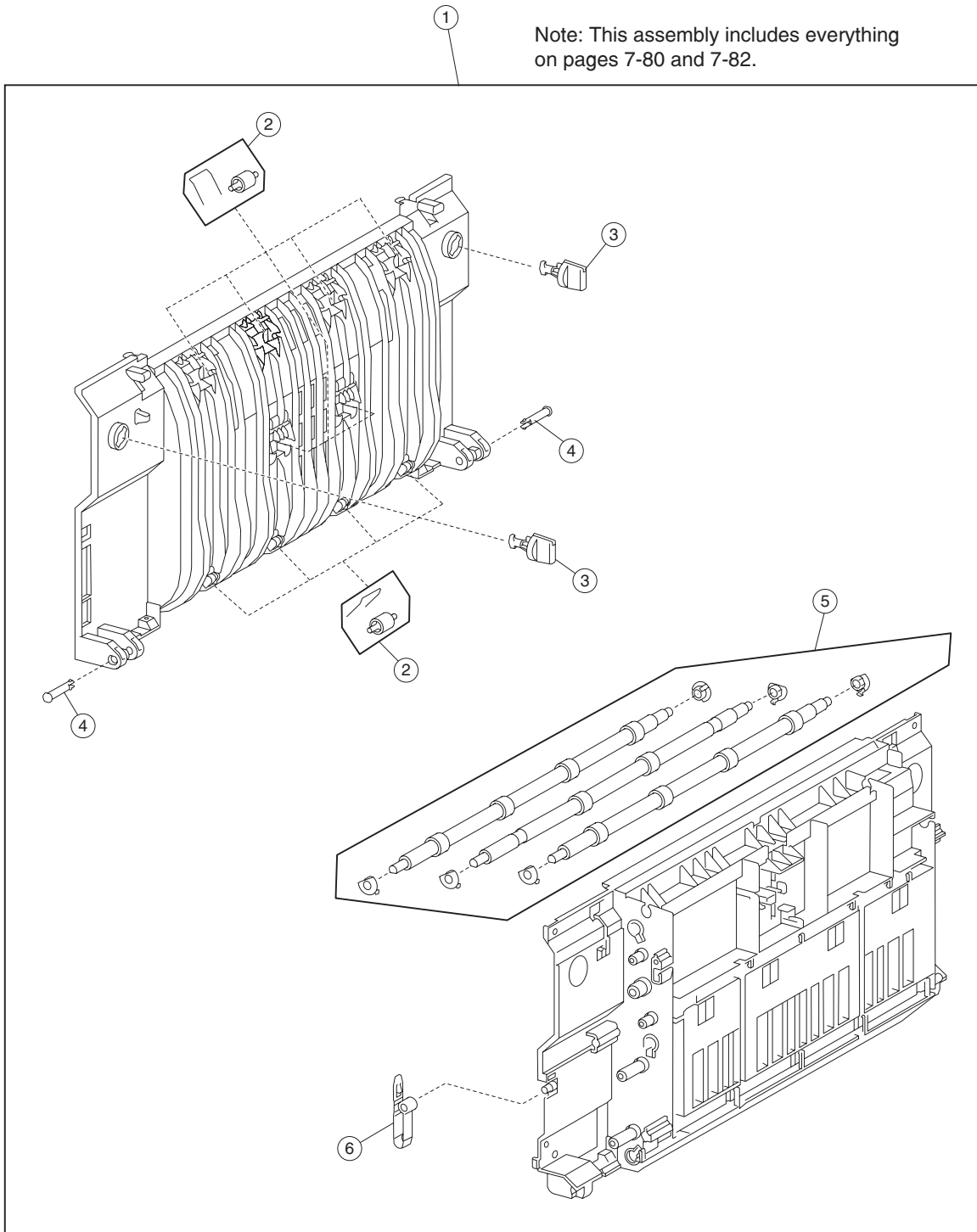


**Assembly 39: Duplex outer**

Asm-Index	Part number	Units/ option	Units/ FRU	Description
39-1	40X0780	1	1	Duplex unit assembly (this comes assembled)
2	40X0788	1	3	Duplex cable kit includes: <ul style="list-style-type: none"> <li>• Duplex sensor cable assembly</li> <li>• Duplex motor cable assembly</li> <li>• Duplex main cable assembly</li> </ul>
3	40X0782	1	3	Duplex left door handle kit includes: <ul style="list-style-type: none"> <li>• Duplex left door handle latch</li> <li>• Duplex left door handle</li> <li>• Spring</li> </ul>
4	40X0786	1	1	Duplex controller card assembly
5	40X0588	1	1	Sensor (duplex wait)
6	40X0784	1	2	Duplex wait actuator kit includes: <ul style="list-style-type: none"> <li>• Duplex wait actuator</li> <li>• Spring</li> </ul>
7	40X0787	1	1	Duplex left cover
8	40X0783	1	1	Duplex lower guide
9	40X0785	1	3	Duplex drive motor kit includes: <ul style="list-style-type: none"> <li>• Duplex drive motor</li> <li>• Duplex drive motor cooling fan</li> <li>• Duplex drive motor cooling fan shroud</li> </ul>
10	40X0610	1	1	Switch (duplex left door interlock)
11	40X0781	1	8	Duplex drive gear kit includes: <ul style="list-style-type: none"> <li>• Duplex drive gear 28T (3 each)</li> <li>• Duplex drive gear 33/74T (2 each)</li> <li>• Duplex drive gear 33T (2 each)</li> <li>• Duplex drive gear 42T</li> </ul>

### Assembly 40: Duplex inner

Note: This assembly includes everything on pages 7-80 and 7-82.



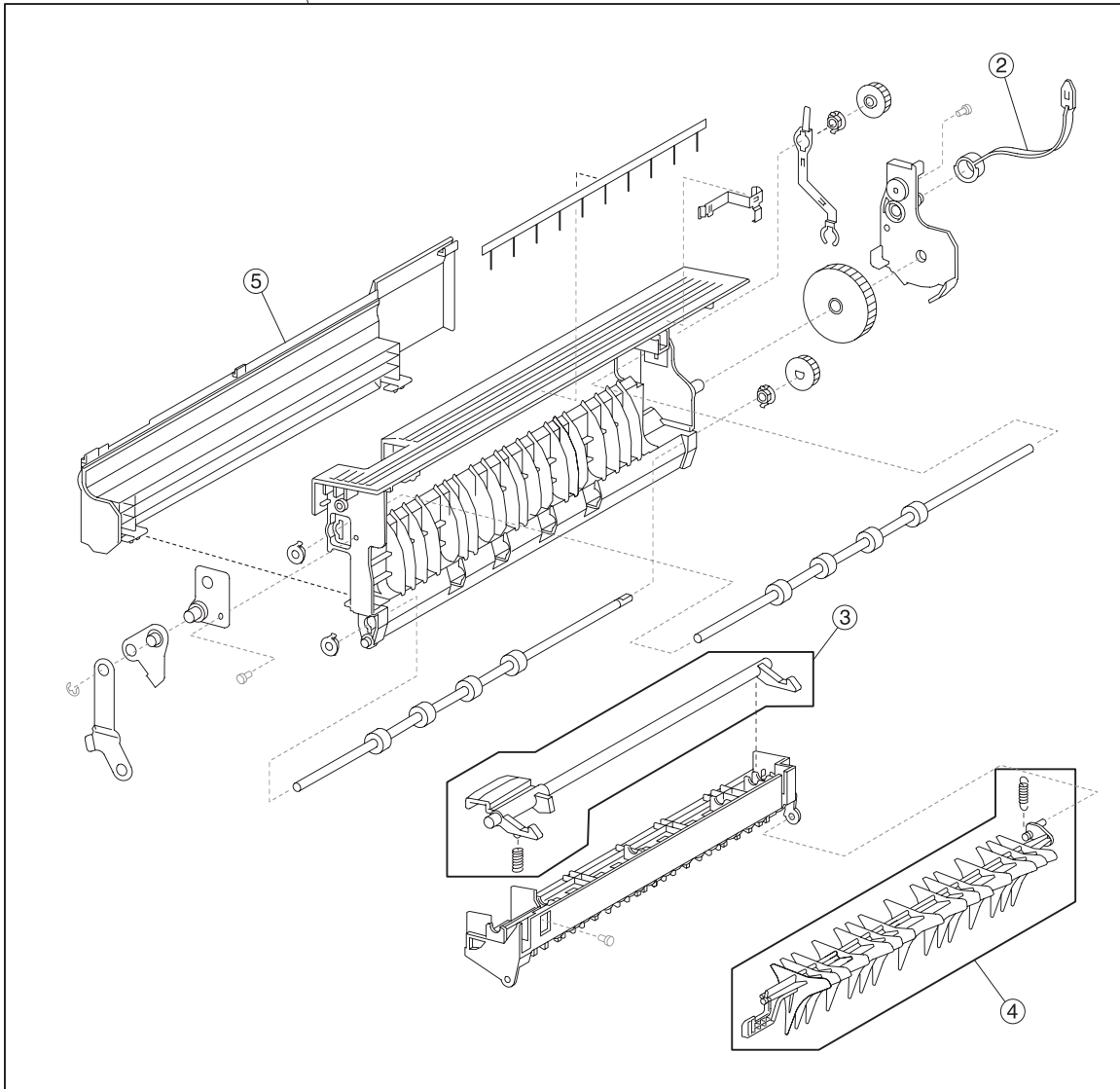
**Assembly 40: Duplex inner**

<b>Asm-Index</b>	<b>Part number</b>	<b>Units/option</b>	<b>Units/FRU</b>	<b>Description</b>
40-1	40X0780	1	1	Duplex unit assembly (this comes assembled)
2	40X0792	1	20	Duplex media transport pinch roll kit includes: <ul style="list-style-type: none"> <li>• Duplex media transport pinch roll (10 each)</li> <li>• Spring (10 each)</li> </ul>
3	40X0790	1	2	Duplex docking lock (2 each)
4	40X0791	1	2	Hinge pin (2 each)
5	40X0793	1	9	Duplex media transport roll kit includes: <ul style="list-style-type: none"> <li>• Bushing 6 mm (6 each)</li> <li>• Duplex media transport roll (2 each)</li> <li>• Duplex media center transport roll</li> </ul>
6	40X0789	1	1	Duplex left door support strap

# Assembly 41: Exit 2 outer

1

Note: This assembly includes everything on pages 7-84 and 7-86.

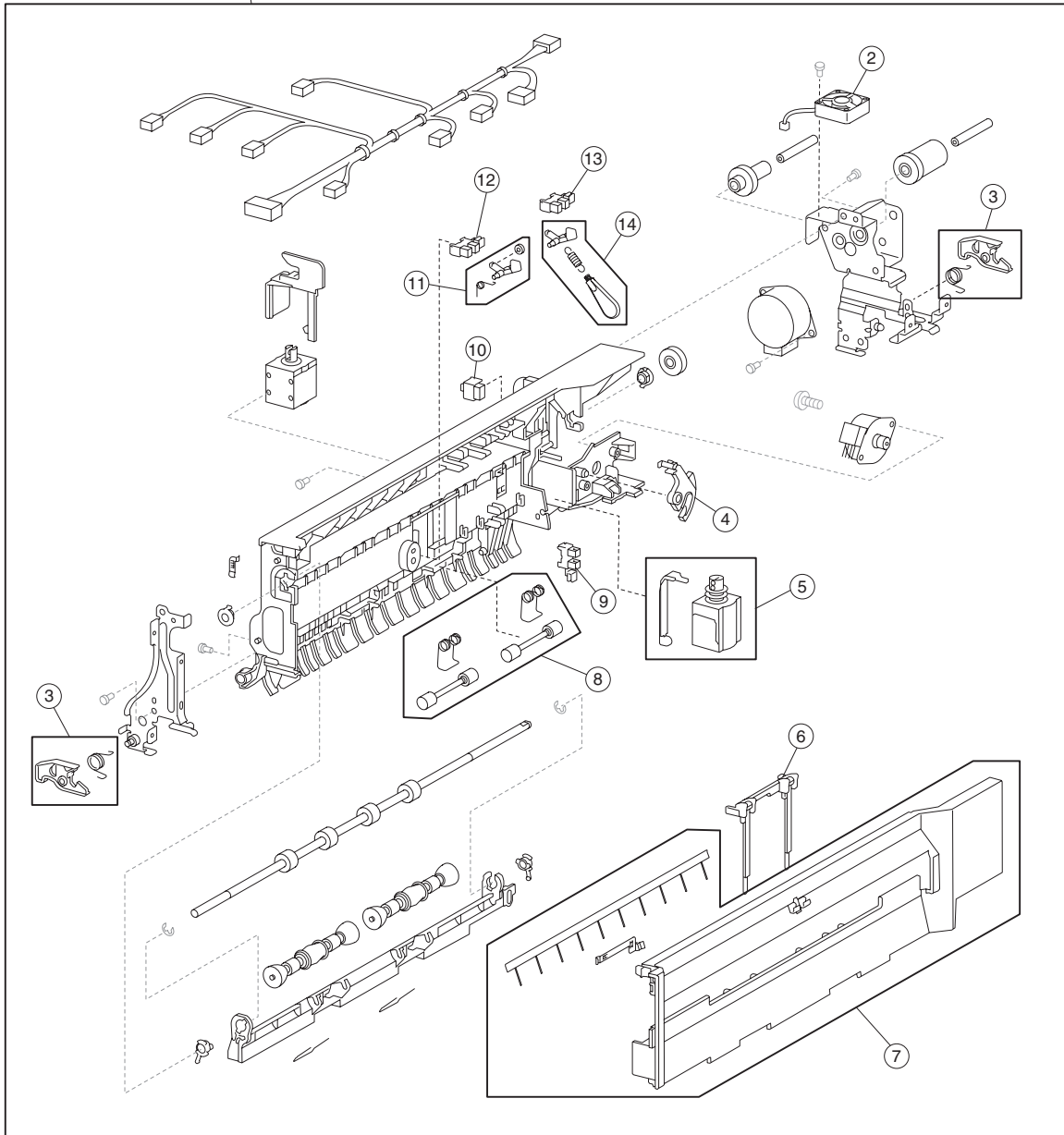


**Assembly 41: Exit 2 outer**

<b>Asm-Index</b>	<b>Part number</b>	<b>Units/option</b>	<b>Units/FRU</b>	<b>Description</b>
41-1	40X0794	1	1	Exit 2 unit assembly (this comes assembled)
2	40X0797	1	1	Exit 2 left door support strap
3	40X0795	1	2	Exit 2 left door handle kit includes: <ul style="list-style-type: none"> <li>• Exit 2 left door handle</li> <li>• Spring</li> </ul>
4	40X0796	1	2	Media diverter gate kit includes: <ul style="list-style-type: none"> <li>• Media diverter gate</li> <li>• Spring</li> </ul>
5	40X0798	1	1	Left cover

## Assembly 42: Exit 2 inner

1 Note: This assembly includes everything on pages 7-84 and 7-86.

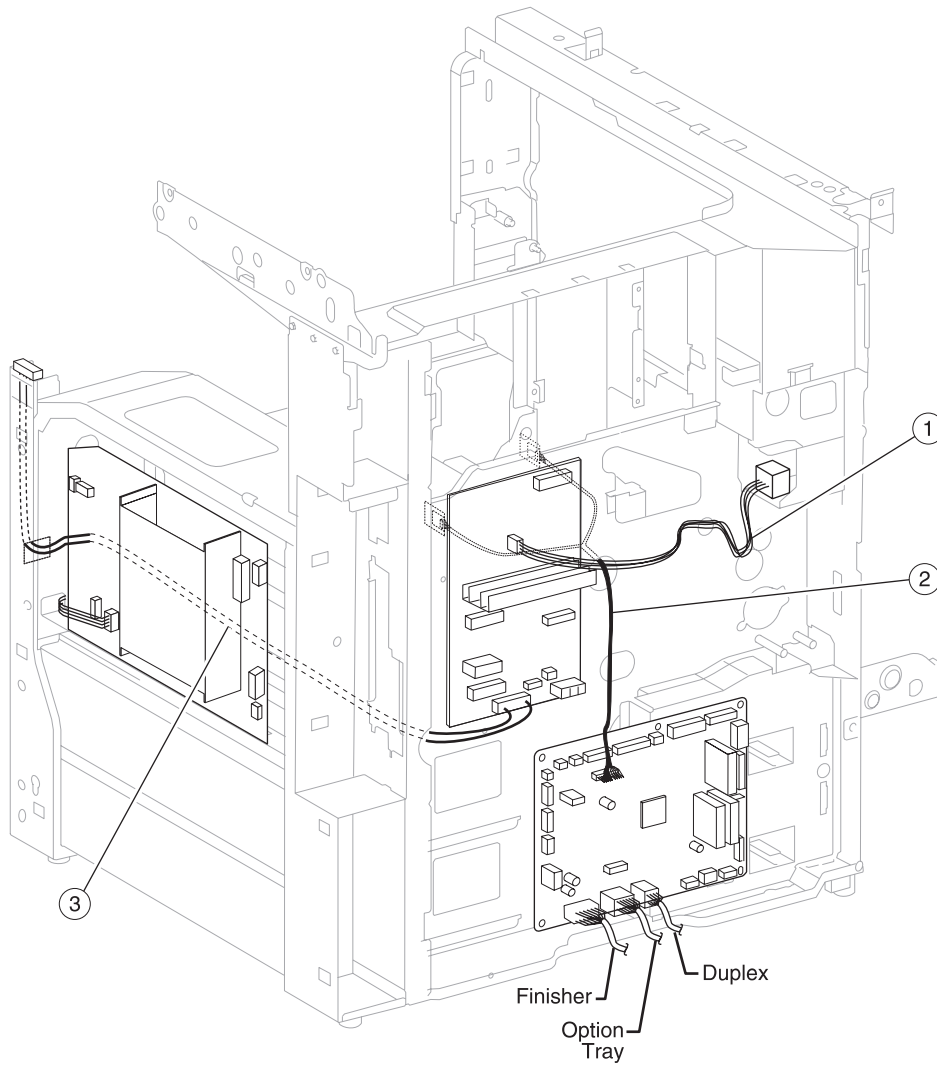


## Assembly 42: Exit 2 inner

Asm-Index	Part number	Units/option	Units/FRU	Description
42-1	40X0794	1	1	Exit 2 unit assembly (this comes assembled)
2	40X0807	1	1	Exit 2 cooling fan
3	40X0802	1	4	Exit 2 docking latch kit includes: <ul style="list-style-type: none"> <li>• Docking latch (2 each)</li> <li>• Docking latch spring front</li> <li>• Docking latch spring rear</li> </ul>
4	40X0803	1	1	Exit 2 media shift gear
5	40X0805	1	2	Media diverter solenoid kit includes: <ul style="list-style-type: none"> <li>• Media diverter solenoid</li> <li>• Media diverter link</li> </ul>
6	40X2389	1	3	• Output guide
7	40X0801	1	3	Right cover kit includes: <ul style="list-style-type: none"> <li>• Right cover</li> <li>• Right cover anti static brush</li> <li>• Right cover grounding plate</li> </ul>
8	40X0806	1	4	Exit 2 pinch roll kit includes: <ul style="list-style-type: none"> <li>• Spring (2 each)</li> <li>• Exit 2 pinch roll (2 each)</li> </ul>
9	40X0588	1	1	Sensor (exit 2 media shift HP)
10	40X0610	1	1	Switch (exit 2 left door interlock)
11	40X0809	1	3	Exit 2 actuator kit includes: <ul style="list-style-type: none"> <li>• Exit 2 actuator</li> <li>• Roller</li> <li>• Spring</li> </ul>
12	40X0588	1	1	Sensor (exit 2)
13	40X0588	1	1	Sensor (standard bin full exit 2)
14	40X0808	1	3	Standard bin full exit 2 actuator kit includes: <ul style="list-style-type: none"> <li>• Standard bin full exit 2 actuator inner</li> <li>• Standard bin full exit 2 actuator outer</li> <li>• Spring</li> </ul>

**Note:** Assembly index items 12 and 13 are identical sensors with different functions; therefore, they are the same part number with different descriptions.

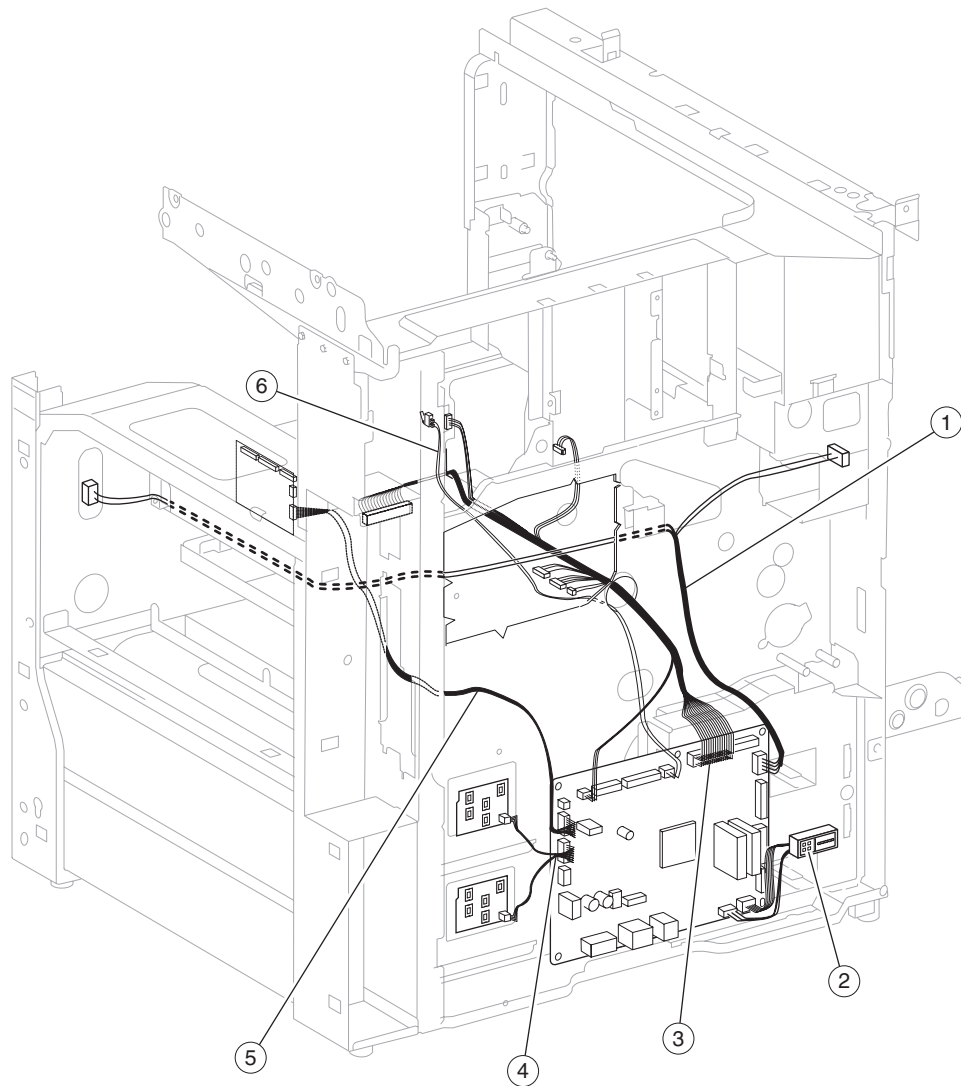
## Assembly 43: Electrical cables



Asm Index	Part number	Units/mach	Units/kit or pkg	Description
43-1	40X2368	1	1	Fuser AC cable assembly
2	40X0686	1	1	RFID sensor cable assembly
3	40X2319	1	1	Main switch cable assembly

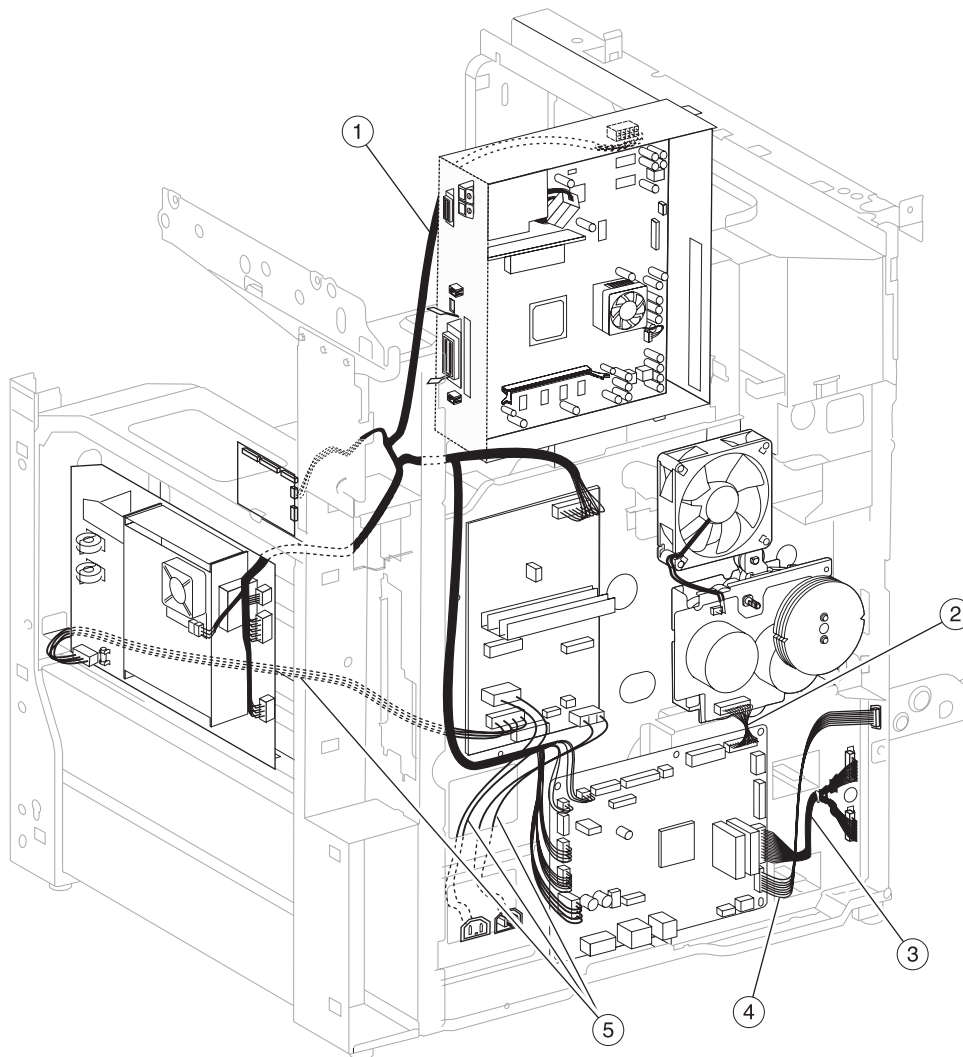


## Assembly 44: Electrical cables



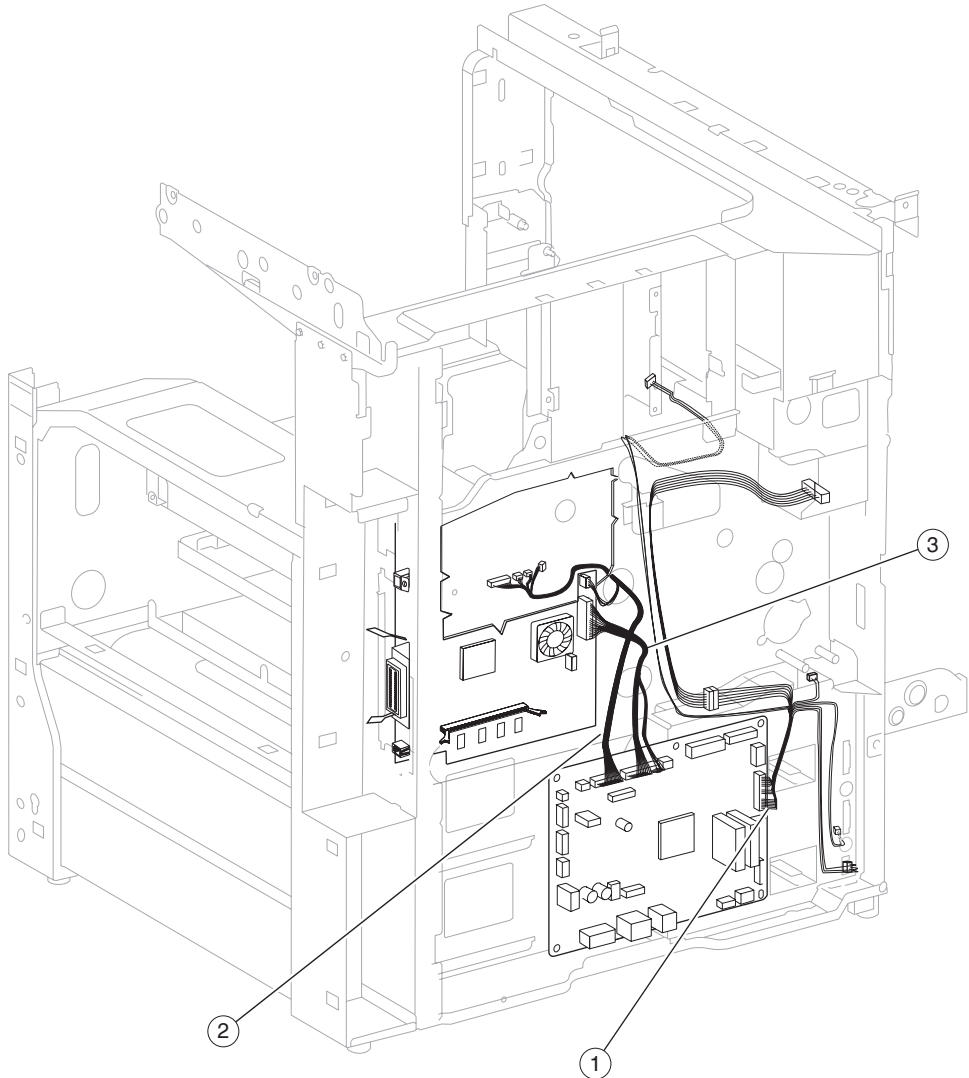
Asm Index	Part number	Units/mach	Units/kit or pkg	Description
44-1	40X0683	1	1	Interlock switch cable assembly
2	40X0673	1	1	HCF hookup connector assembly
3	40X0637	1	1	Multi connector cable assembly 1
4	40X0676	1	1	Media size switch cable assembly
5	40X2318	1	1	Multi connector cable assembly 3
6	40X1390	1	2	Switch (PC cartridge interlock) kit includes: <ul style="list-style-type: none"> <li>• Backup spring</li> <li>• Switch (PC cartridge interlock)</li> </ul>

## Assembly 45: Electrical cables

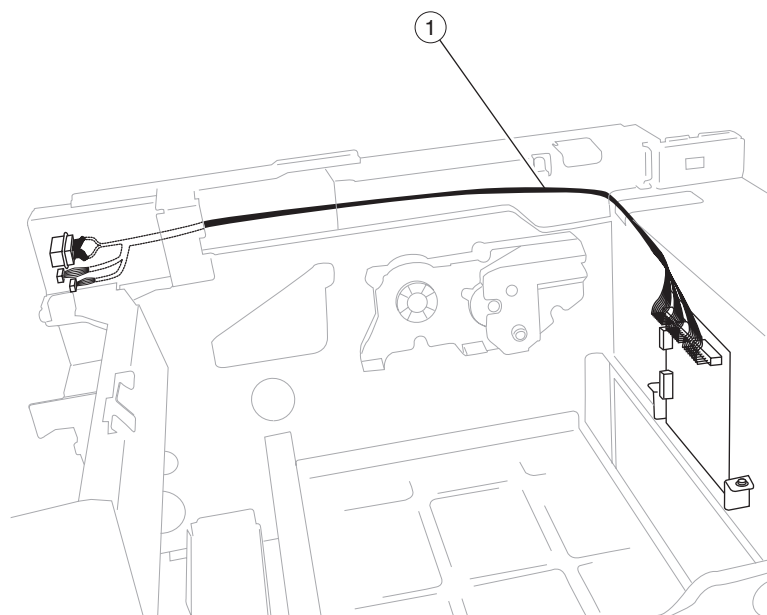


Asm Index	Part number	Units/mach	Units/kit or pkg	Description
45-1	40X2318	1	1	Multi connector cable assembly 3 <b>Note:</b> Assembly 44 (Index # 5) on page 89 and Assembly 45 (Index #1) on page 90 is a cable bundle that makes up Multi connector cable assembly 3.
2	40X0685	1	1	Dual drive motor cable assembly
3	40X0674	1	1	Media feed unit cable assembly
4	40X0675	1	1	MPF hookup cable assembly
5	40X2313	1	7	AC power input socket kit includes: <ul style="list-style-type: none"> <li>• Screws 4 mm (2 each)</li> <li>• Bracket</li> <li>• AC power input socket</li> <li>• Ground wire</li> <li>• Main AC cable assembly</li> <li>• Finisher AC output</li> </ul>

### Assembly 46: Electrical cables



Asm Index	Part number	Units/mach	Units/kit or pkg	Description
46-1	40X2367	1	1	Multi connector cable assembly 2
2	40X2317	1	1	Printhead cable assembly
3	40X0677	1	1	RIP card cable assembly

**Assembly 47: Electrical cable**

Asm Index	Part number	Units/mach	Units/kit or pkg	Description
47-1	40X0679	1	1	Exit interface cable assembly

## Assembly 48: Power cords

Asm Index	Part number	Units/mach	Units/kit or pkg	Description
48-NS	40X0269	1	1	Power cord—USA, Canada, Latin America, Asia Pacific LV 8ft right angle
NS	40X0270	1	1	Power cord—Japan 15A LV 8ft straight
NS	40X0271	1	1	Power cord—United Kingdom 8ft straight
NS	40X0273	1	1	Power cord—Chile, Italy, Uruguay HV 8ft straight
NS	40X0277	1	1	Power cord—Brazil high amp LV 6ft straight
NS	40X0280	1	1	Power cord—Korea 10A HV 6ft straight
NS	40X0281	1	1	Power cord—Taiwan 13A LV 6ft straight
NS	40X0288	1	1	Power cord—Argentina HV 8ft straight
NS	40X0301	1	1	Power cord—Australia, New Zealand HV 8ft straight
NS	40X0303	1	1	Power cord—China HV 2.44 m straight
NS	40X1767	1	1	Power cord—Austria, Belgium, Brazil, France, Germany, Greece, Italy, Luxembourg, Netherlands, Nordic countries, Paraguay, Poland, Portugal, Russia, Senegal, Spain HV 8ft straight
NS	40X1771	1	1	Power cord—Israel HV 8ft straight
NS	40X1772	1	1	Power cord—Liechtenstein, Switzerland HV 8ft straight
NS	40X1773	1	1	Power cord—South Africa, Hong Kong, Singapore, Thailand, Malaysia HV 8ft straight
NS	40X1774	1	1	Power cord—Denmark HV 8ft straight

## Assembly 49: Miscellaneous

Asm-Index	Part number	Units/mach	Units/kit or pkg	Description
49-NS	40X0179	1	1	Nyogel 744 grease packet
NS	40X0290	1	1	RS232C serial interface card
NS	40X0291	1	1	Parallel 1284-B interface card
NS	40X0948	NA	NA	Assorted E-clip packet
NS	40X0949	NA	NA	Assorted screw packet
NS	40X1375	1	1	MarkNet 8000 Fast Ethernet
NS	40X1376	1	1	MarkNet 8020 Gigabit Ethernet
NS	40X1377	1	1	MarkNet 8030 Fiber Ethernet
NS	40X1378	1	1	MarkNet 8050 wireless, US
NS	40X1508	1	1	128MB memory option
NS	40X1509	1	1	256MB memory option
NS	40X1510	1	1	512MB memory option
NS	40X1512	1	1	Japanese font card
NS	40X1513	1	1	Simplified Chinese font card
NS	40X1514	1	1	Traditional Chinese font card
NS	40X1515	1	1	Korean font card
NS	40X1562	1	1	MarkNet 8050 wireless, non-US
NS	40X1564	1	1	32MB Flash card
NS	40X1455	1	1	64MB Flash card
NS	40X2375	1	14	Maintenance kit (110 V) <ul style="list-style-type: none"> <li>• Fuser unit assembly</li> <li>• Transfer roll assembly</li> <li>• Feed rolls (4 each)</li> <li>• Pick rolls (4 each)</li> <li>• Separation rolls (4 each)</li> </ul>
NS	40X2376	1	14	Maintenance kit (220 V) <ul style="list-style-type: none"> <li>• Fuser unit assembly</li> <li>• Transfer roll assembly</li> <li>• Feed rolls (4 each)</li> <li>• Pick rolls (4 each)</li> <li>• Separation rolls (4 each)</li> </ul>
NS	40X2377	1	14	Maintenance kit (100 V) <ul style="list-style-type: none"> <li>• Fuser unit assembly</li> <li>• Transfer roll assembly</li> <li>• Feed rolls (4 each)</li> <li>• Pick rolls (4 each)</li> <li>• Separation rolls (4 each)</li> </ul>
NS	40X3500	1	1	IPDS card assembly
NS	40X2734	1	2	Maintenance kit (ADF) <ul style="list-style-type: none"> <li>• Feed/pick roll assembly</li> <li>• Separation guide assembly</li> </ul>
NS	40X2794	1	1	Forms card assembly
NS	40X4252	1	1	Bar code card assembly
NS	40X4256	1	1	PRESCRIBE card assembly

# Index

## Numerics

- 40X4252 Bar code card assembly **7-94**
- 40X4256 PRESCRIBE card assembly **7-94**

## A

- accessing service menus **3-1**
- acronyms **1-74**
- Asterisk button **2-4**

## B

- Backspace button **2-4**
- buttons
  - ? (Tips) **2-5**
  - Asterisk **2-4**
  - Back **2-12**
  - Backspace **2-4**
  - Cancel **2-11**
  - Cancel Job **2-10, 2-11**
  - Cancel Jobs **2-7**
  - Clear All **2-4**
  - Continue **2-11**
  - Copy **2-5**
  - Custom **2-11**
  - Dial Pause **2-4**
  - Done **2-12**
  - down arrow **2-10**
  - E-mail **2-5**
  - Fax **2-6**
  - FTP **2-6**
  - gray **2-12**
  - grayed out **2-12**
  - Held Faxes **2-6**
  - Held Jobs **2-6**
  - Home **2-12**
  - left arrow **2-9**
  - left scroll decrease **2-8**
  - Lock Device **2-6**
  - Menus **2-5**
  - numeric keypad **2-3**
  - Pound **2-3**
  - Release Held Faxes **2-6**
  - right arrow **2-9**
  - right scroll increase **2-8**
  - Search Held Jobs **2-6**
  - Select **2-11**
  - select **2-8**
  - selected radio **2-10**
  - Start **2-4**
  - Status/Supplies **2-5**
  - Stop **2-4**
  - Unlock Device **2-7**
  - unselected radio **2-10**

## C

- Cancel Job button **2-10, 2-11**

- Clear All button **2-4**
- component locations **5-1**
  - cables **5-8**
  - duplex components **5-14**
  - exit 2 components **5-15**
  - HVPS **5-1**
  - LVPS **5-1**
  - printer boards **5-1**
  - printer motors and sensors **5-2**
  - printer switches **5-7**
  - TTM components **5-13**
- Configuration Menu
  - ADF Edge Erase **3-42**
  - available menus **3-33**
  - Disk Encryption **3-43**
  - Energy Conserve **3-41**
  - entering **3-33**
  - Envelope Prompts **3-43**
  - EVENT LOG **3-42**
  - Factory Defaults **3-41**
  - FB Edge Erase **3-42**
  - Font Sharpening **3-48**
  - Format Fax Storage **3-42**
  - Jobs On Disk **3-43**
  - Key Repeat Initial Delay **3-50**
  - Key Repeat Rate **3-50**
  - LES Applications **3-49**
  - Maintenance Counter Value **3-35**
  - Min Copy Memory **3-41**
  - Panel Menus **3-40**
  - Paper Prompts **3-43**
  - PPDS Emulation **3-40**
  - Print Quality Pages **3-38**
  - REGISTRATION **3-36**
    - Quick Test **3-37**
  - Require Standby **3-49**
  - Reset Maintenance Counter **3-35**
  - Short Edge Printing **3-49**
  - SIZE SENSING **3-39**
  - Tray Low Message **3-49**
  - Wipe Disk **3-46**
- connectivity
  - optional **1-1**
  - standard **1-1**
- Continue button **2-11**
- control panel **2-3**
  - Asterisk **2-4**
  - Backspace **2-4**
  - Clear All **2-4**
  - Dial Pause **2-4**
  - LCD **2-3**
  - numeric keypad **2-3**
  - pound **2-3**
  - Start **2-4**
  - Stop **2-4**

**D**

- diagnostic aids **3-1**
  - accessing service menus **3-1**
- diagnostic information **2-1**
  - confirm the installation status **2-2**
  - error code messages **2-13**
  - service checks **2-40**
  - start **2-1**
  - using service checks **2-1**
- Diagnostic Menus
  - entering diagnostic menus **3-2**
- Diagnostics Menus
  - available tests **3-2**
  - BASE SENSOR TEST **3-16**
  - DEVICE TESTS **3-17**
    - Disk Test/Clean **3-17**
    - Quick Disk Test **3-17**
  - DUPLEX TESTS
    - 3-10**
    - Quick Test **3-10**
  - EVENT LOG **3-22**
    - Clear the Event Log **3-24**
    - Display the Event Log **3-22**
    - Print the Event Log **3-24**
  - FINISHER TESTS
    - Feed Tests **3-14**
    - Hole Punch Test **3-14**
    - Sensor Test **3-14**
    - Staple Test **3-13**
  - HARDWARE TESTS **3-7**
    - Button Test **3-7**
    - CACHE Test **3-9**
    - DRAM Test **3-8**
    - Panel Test **3-7**
    - Parallel Wrap **3-9**
  - INPUT TRAY TESTS
    - Feed Tests **3-10**
    - Sensor Test **3-11**
  - MOTOR TESTS **3-5**
  - OUTPUT TRAY TESTS
    - Feed Tests **3-12**
    - Feed To All Bins **3-12**
    - Sensor Test **3-13**
  - PRINT TESTS **3-6**
  - PRINTER SETUP **3-19**
    - Configuration ID **3-20**
    - Defaults **3-19**
    - Edge to Edge **3-21**
    - Engine Setting 1 to 4 **3-20**
    - Model Name **3-20**
    - Parallel Strobe Adjustment **3-22**
    - Permanent Page Count **3-20**
    - Printed Page Count **3-20**
    - Serial Number **3-20**
  - SCANNER TESTS
    - ASIC Test **3-25**
    - Feed Test **3-25**
    - Scanner Manual Registration **3-26**
    - Scanner manual registration factory defaults **3-30**

Sensor Test **3-31**

- Dial Pause button **2-4**
- down arrow button **2-10**
- duty cycle **1-3**

**E**

- emulation **1-2**
- error code messages **2-13**
- error codes
  - 200.00 sensor (registration) off jam (too long) **2-40**
  - 200.01 sensor (registration) static on jam **2-41**
  - 201.00 sensor (fuser exit) on jam **2-42**
  - 202.00 sensor (fuser exit) off jam **2-43**
  - 202.01 sensor (fuser exit) off (too short) jam **2-44**
  - 202.02 sensor (fuser exit) static jam **2-45**
  - 203.00 sensor (exit 2) on jam **2-45**
  - 203.01 sensor (exit 2) off jam **2-47**
  - 203.02 sensor (exit 2) on jam in standard bin or finisher **2-49**
  - 203.03 sensor (exit 2) static jam **2-50**
  - 230.00 sensor (duplex wait) on jam **2-51, 2-52**
  - 230.01 sensor (duplex wait) static jam **2-54**
  - 231.00 sensor (registration) on jam (duplex paper feed) **2-54**
  - 231.01 sensor (registration) on jam (duplex paper feed) **2-56**
  - 241.00 sensor (pre-feed) on jam (tray 1 feed) **2-58**
  - 241.01 sensor (registration) on jam (tray 1 feed) **2-59**
  - 242.00 sensor (pre-feed) on jam (tray 2 feed) **2-60**
  - 242.01 sensor (tray 2 feed-out) on jam (tray 2 feed) **2-62**
  - 242.02 sensor (registration) on jam (tray 2 feed) **2-64**
  - 242.03 sensor (tray 2 feed-out) static jam **2-66**
  - 243.00 sensor (pre-feed) on jam (tray 3 media feed) **2-66**
  - 243.01 sensor (tray 3 feed-out) on jam (tray 3 media feed) **2-68**
  - 243.02 sensor (tray 2 feed-out) on jam (tray 3 media feed) **2-70**
  - 243.03 sensor (registration) on jam (tray 3 media feed) **2-71**
  - 243.04 sensor (tray 3 feed-out) static jam **2-73**
  - 244.00 sensor (tray 4 feed-out) on jam (tray 4 media feed) **2-74**
  - 244.01 sensor (tray 3 feed-out) on jam (tray 4 media feed) **2-77**
  - 244.02 sensor (pre-feed) on jam (tray 4 media feed) **2-79**
  - 244.03 sensor (registration) on jam (tray 4 media feed) **2-81**
  - 244.04 sensor (pre-feed) on jam (tray 4 media feed) **2-82**
  - 244.05 sensor (tray 4 feed-out) static jam **2-84**
  - 250.00 sensor (registration) on jam (MPF pick) **2-85**
  - 290.00 switch (sheet through) static jam **2-87**
  - 290.01 sensor (sheet through) on jam **2-87**
  - 290.02 sensor (ADF pre-registration) on jam ADF simplex side **2-90**
  - 290.03 sensor (ADF pre-registration) off jam **2-92**
  - 290.10 sensor (ADF pre-registration) static jam **2-94**



- 290.11 sensor (ADF registration) on jam ADF simplex side **2-95**
- 290.12 sensor (ADF registration) on jam side **2-97**
- 290.13 sensor (ADF registration) off jam **2-99**
- 290.14 sensor (ADF inverter) on jam (inverting) **2-100**
- 290.15 sensor (ADF registration) off jam (inverting) **2-103**
- 290.21 sensor (ADF width APS 1) static jam **2-106**
- 290.22 sensor (ADF width APS 2) static jam **2-107**
- 290.23 sensor (ADF width APS 3) static jam **2-107**
- 291.00 sensor (ADF registration) static jam **2-108**
- 291.01 sensor (ADF inverter) off jam (inverting) **2-109**
- 291.02 sensor (ADF inverter) on jam **2-111**
- 291.03 sensor (ADF inverter) off jam **2-113**
- 294.00 sensor (ADF inverter) static jam **2-116**
- 294.01 sensor (ADF pre-registration) on jam side 2 **2-117**
- 294.02 sensor (ADF pre-registration) off jam on inverting **2-119**
- 295.00 size mismatch jam (mix-size) **2-121**
- 295.01 size mismatch jam (no mix-size) **2-123**
- 295.02 invalid combine size jam **2-124**
- 295.03 too short size jam **2-125**
- 295.04 too long size jam **2-127**
- 841.00 image pipeline ASIC failure **2-128**
- 842.00 scanner communication failure **2-128**
- 842.01 scanner communication failure **2-129**
- 842.02 scanner communication failure **2-129**
- 842.03 scanner communication failure **2-130**
- 842.04 scanner communication failure **2-130**
- 842.10 scanner unit assembly - ADF communication failure **2-131**
- 842.11 scanner communication failure (by scanner) **2-131**
- 842.12 scanner unit assembly communication failure **2-132**
- 843.00 sensor (scanner HP) failure **2-133**
- 843.01 scanner carriage over run failure **2-134**
- 843.10 ADF RAM test failure **2-134**
- 843.11 ADF EEPROM failure **2-134**
- 843.12 ADF pick roll position lift up failure **2-135**
- 843.20 scanner unit assembly connection failure **2-136**
- 843.21 scanner unit assembly EEPROM failure **2-136**
- 843.22 scanner unit assembly EEPROM sub system failure **2-137**
- 843.23 scanner cooling fan failure **2-137**
- 843.24 image processing failure **2-138**
- 843.25 scanner controller card assembly failure **2-138**
- 843.26 scanner controller card assembly failure **2-139**
- 844.00 exposure lamp failure **2-139**
- 844.01 lamp illumination failure **2-140**
- 845.00 CCD failure **2-142**
- 845.01 CCD initialization (lamp on) failure **2-142**
- 845.02 CCD initialization (lamp off) failure **2-143**
- 846.00 scanner communication failure **2-143**
- 846.01 scanner communication failure **2-144**
- 846.10 sensor (ADF width APS X) failure **2-144**
- 846.12 scanner unit assembly software logic failure **2-146**
- 846.13 switch (platen interlock) open **2-146**
- 847.00 modem failure **2-147**
- 847.01 fax failure **2-148**
- 848.00 modem failure **2-148**
- 849.00 hard drive failure **2-149**
- 900.XX RIP card assembly software failure **2-149**
- 903.00 RAM read/write check failure **2-149**
- 904.00 NVM data failure **2-150**
- 905.00 NVM read/write cannot be executed failure **2-150**
- 906.00 CPU power to access NVM failure **2-151**
- 907.00 RFID ASIC failure **2-151**
- 908.00 PPM data failure **2-152**
- 909.00 zero cross failure **2-152**
- 910.00 transport motor stop failure **2-153**
- 911.00 transport motor failure **2-154**
- 912.00 PC cartridge unit motor failure **2-154**
- 913.00 printhead assembly failure **2-155**
- 914.00 toner add motor assembly failure **2-155**
- 915.00 fuser cooling fan failure **2-156**
- 916.00 PC cartridge cooling fan failure **2-157**
- 917.00 LVPS cooling fan failure **2-158**
- 918.00 exit 1 media shift HP failure **2-158**
- 919.00 sensor (exit 2 media shift HP) failure **2-159**
- 919.01 exit 2 unit assembly connection failure **2-160**
- 920.00 fuser unit assembly on time failure **2-161**
- 921.00 over heat temperature failure **2-161**
- 922.00 center thermistor failure **2-162**
- 923.00 rear thermistor failure **2-162**
- 924.00 pressure roll thermistor failure **2-162**
- 925.00 fuser operating temperature failure **2-163**
- 927.00 PC cartridge RFID data write failure **2-163**
- 928.00 PC cartridge RFID communication failure **2-164**
- 929.00 sensor (ATC) failure **2-164**
- 930.00 laser power failure **2-164**
- 932.00 toner cartridge RFID data write failure **2-165**
- 933.00 toner cartridge RFID communication failure **2-165**
- 939.00 RIP card assembly communication failure **2-166**
- 941.00 media tray 1 lift up / no media tray failure **2-166**
- 942.00 media tray 2 lift up / no media tray failure **2-168**
- 943.00 tray 3 lift up / no tray failure **2-169**
- 944.00 tray 4 lift up / no tray failure **2-170**
- 950.00 through 950.29 EPROM mismatch failure **2-172**
- 950.30 through 950.60 EPROM mismatch failure **2-173**
- 951.XX RIP card assembly NVRAM failure **2-174**
- 952.XX Interconnect card NVRAM CRC failure **2-174**
- 953.XX operator panel assembly NVRAM failure **2-174**
- 954.XX interconnect card assembly NVRAM failure **2-175**
- 955.XX RIP card assembly NAND CRC failure **2-175**
- 956.00 RIP card assembly processor failure **2-176**
- 956.01 RIP card assembly processor over temperature failure **2-176**
- 956.02 RIP card assembly cooling fan failure **2-176**
- 956.03 RIP card assembly FPGA failure **2-177**
- 980.00 2TM/TTM controller card assembly communication failure **2-177**

- 980.03 duplex controller card assembly communication failure **2-178**
- 980.03 exit interface card assembly communication failure **2-178**
- 980.05 engine flicker communication failure **2-179**
- 997.00 duplex controller card assembly type failure **2-179**

#### error messages

- 2TM/TTM left door assembly open **2-180**
- duplex left door assembly open **2-181**
- exit 2 left door assembly open **2-181**
- media size mismatch in width **2-182, 2-183**
- no media in the select media tray **2-184, 2-185**
- paper is installed (short edge) in the media paper tray **2-186**
- PC cartridge end of life **2-186**
- PC cartridge RFID failure **2-187**
- PC cartridge set failure **2-187**
- printer front door open **2-188**
- printer left door open **2-189**
- printer left lower door open **2-190**
- scanner missing failure **2-192**
- scheduled maintenance required **2-190**
- standard bin 1 full **2-190**
- standard bin 2 full **2-191**
- switch (ADF left cover interlock) open **2-193**
- toner cartridge empty **2-193**
- toner cartridge near empty **2-195**
- toner cartridge RFID failure **2-195, 2-196**
- toner cartridge set failure **2-196**
- tray 1 media size failure **2-197**
- tray 1 media size mismatch in length **2-198**
- tray 2 media size failure **2-198**
- tray 2 media size mismatch in length **2-200**
- tray 3 media size failure **2-202**
- tray 3 media size mismatch in length **2-204**
- tray 4 media size failure **2-203**
- tray 4 media size mismatch in length **2-206**

exiting Configuration Menu **3-50**

exiting Diagnostics Menu **3-32**

## F

fonts **1-2**

## H

Home button **2-12**

Home screen **2-5**

buttons **2-5**

home screen

status message bar **2-5**

## I

image quality trouble **2-208**

blank print (no print) **2-211**

faint print (low contrast) **2-209**

image quality **2-209**

solid black **2-213**

troubleshooting **2-208**

vertical blank lines (white stripes in media transport direction) **2-214**

image quality troubles

after image **2-224**

background (fog) **2-225**

horizontal band printheads out **2-216**

horizontal stripes **2-220**

media damage **2-228**

no fuse **2-229**

partial lack **2-222**

skew **2-227**

spots **2-223**

vertical stripes **2-218**

indicator light **2-3**

## L

LCD touch-screen features

Attendance message alert **2-12**

Menu trail line **2-12**

left arrow button **2-9**

left scroll decrease button **2-8**

light, indicator **2-3**

lubrication specification **6-2**

## M

maintenance scheduled **6-2**

maximum resolution **1-1**

media types **1-3**

media weights **1-3**

memory **1-1**

models **1-1**

## N

navigation bar **2-5**

numeric keypad **2-3**

## O

operating systems **1-2**

optional connectivity **1-1**

options and features

description **1-4**

duplex **1-65**

duplex drive motor **1-65**

media transport **1-66**

exit 2 **1-69**

exit

2 drive motor **1-69**

media transport **1-70**

tandem tray **1-56**

driving force transmission path **1-57**

main components **1-63**

media transport **1-58**

media tray assembly **1-60**

## P

paper capacity **1-2**

paper handling **1-2**

parts catalog **7-1**

2000-sheet dual input (TTM)—covers **7-65**

2000-sheet dual input (TTM)—drive and electrical **7-79**

2000-sheet dual input (TTM)—feed and transport **7-71, 7-73**

- 2000-sheet dual input (TTM)—left door **7-77**
  - 2000-sheet dual input (TTM)—media feed unit **7-75**
  - 2000-sheet dual input (TTM)—tray 3 **7-67**
  - 2000-sheet dual input (TTM)—tray 4 **7-69**
  - ADF assembly **7-46**
  - ADF covers and components **7-48**
  - ADF document tray **7-62**
  - ADF feeder **7-52**
  - ADF feeder roll **7-58**
  - ADF left cover components **7-54**
  - ADF media guide **7-56**
  - ADF motor unit **7-60**
  - carriage motor and cooling fan **7-42**
  - covers **7-3, 7-4**
  - covers and control panel **7-36**
  - dual unit drive motor **7-30**
  - duplex—duplex inner **7-83**
  - duplex—duplex outer **7-81**
  - electrical **7-32**
  - electrical cable **7-92**
  - electrical cables **7-88, 7-89, 7-90, 7-91**
  - exit 2—exit 2 inner **7-87**
  - exit 2—exit 2 outer **7-85**
  - full/half rate carriage **7-44**
  - fuser **7-26**
  - how to use this parts catalog **7-1**
  - left door **7-20**
  - left door and transfer roll **7-18**
  - left lower door and transport **7-16**
  - lens and sensors **7-40**
  - media feed unit **7-6**
  - media feed unit exploded (tray 1 and tray 2) **7-8**
  - media tray **7-10**
  - miscellaneous **7-94**
  - MPF unit **7-12**
  - MPF unit feed **7-14**
  - platen glass **7-38**
  - power cords **7-93**
  - printhead, cartridge guides, and fans **7-24**
  - registration **7-22**
  - standard exit 1 **7-28**
  - Pound button **2-3**
  - preventive maintenance **6-1**
  - print speed **1-1**
  - printer overview **1-4**
    - basic model **1-4**
    - configured model **1-5**
  - printer technology **1-1**
  - processor **1-1**
- R**
- radio button
    - selected **2-10**
    - unselected **2-10**
  - removals
    - controller box lower cover **4-17**
    - controller box side cover **4-18**
    - dual drive motor assembly **4-113**
    - ESD-sensitive parts **4-1**
    - exit 1 drive belt **4-112**
    - exit 1 media shift assembly **4-105**
    - exit 1 media shift gear **4-110**
    - exit interface card assembly **4-116**
    - feed roll **4-45**
    - feed roll one way clutch **4-46**
    - feed roll one way gear 22 tooth **4-47**
    - feed unit drive gear 27 tooth **4-53**
    - front door support strap and front door magnetic catch **4-7**
    - front inner cover **4-8**
    - fuser cooling fan **4-98**
    - fuser unit assembly **4-104**
    - high voltage power supply (HVPS) card **4-114**
    - left door assembly **4-75**
    - left door assembly handle **4-78**
    - left lower door handle assembly **4-72**
    - left lower pinch roll assembly **4-71**
    - LVPS card assembly **4-119**
    - LVPS cooling fan **4-121**
    - media feed lift motor **4-33**
    - media feed unit assembly 1 **4-20**
    - media feed unit assembly 2 **4-23**
    - media feed unit drive gear - 13 tooth **4-37**
    - media feed unit drive gear - 28/21 tooth **4-42**
    - media feed unit drive gear - 29 tooth **4-43**
    - media out actuator **4-38**
    - media shift motor **4-107**
    - media transport roll assembly/gear **4-69**
    - media tray end guide **4-30**
    - media tray lift gear group **4-32**
    - media tray side guides **4-26**
    - MPF feed drive gear group **4-59**
    - MPF feed shaft assembly **4-63**
    - MPF feed unit assembly **4-54**
    - MPF fold down tray assembly **4-65**
    - MPF media out actuator and upper frame **4-55**
    - MPF pick solenoid/pick lever **4-62**
    - MPF pressure pad **4-60**
    - MPF rear cover **4-58**
    - MPF transport pinch roll assembly **4-57**
    - MPF transport roll assembly **4-61**
    - option hookup cover **4-14**
    - PC cartridge cooling fan **4-102**
    - PC cartridge cooling fan duct **4-100**
    - pick roll **4-51, 4-64**
    - pick roll drive gear 25 tooth **4-52**
    - pick roll idler gear 33 tooth **4-50**
    - printer front door assembly **4-6**
    - printer front left cover **4-3**
    - printer left door support strap **4-74**
    - printer left lower door assembly **4-70**
    - printhead assembly **4-99**
    - rear lower cover **4-12**
    - rear motor cover **4-11**
    - rear upper cover **4-15**
    - registration clutch assembly **4-80**
    - registration roll assembly **4-79**
    - right lower cover **4-10**
    - right upper cover **4-9**

- sensor (exit 1 bin full) **4-109**
- sensor (exit 1 media shift) **4-108**
- sensor (fuser exit) **4-103**
- sensor (humidity and temperature) **4-90**
- sensor (media level) **4-39**
- sensor (media out) **4-40**
- sensor (MPF media out) **4-56**
- sensor (pre-feed) **4-41**
- sensor (registration) **4-81**
- sensor (RFID PC cartridge) and sensor (RFID toner cartridge) **4-94**
- sensor (tray 2 feed-out) **4-83**
- separation roll **4-49**
- separation roll one way friction clutch **4-48**
- switch (left lower door interlock) **4-68**
- switch (main power) **4-115**
- switch (media size) **4-19**
- switch (PC cartridge interlock) **4-84**
- switch (printer front door interlock) **4-4**
- switch (printer left door interlock) **4-76**
- toner add motor assembly **4-97**
- toner cartridge guide assembly **4-95**
- top cover assembly **4-5**
- transfer roll assembly **4-73**
- transfer roll guide assembly **4-77**
- tray lift coupling assembly **4-34**
- tray lift one way clutch/gear assembly **4-35**
- vertical drive gear assembly **4-67**
- removals—2000-sheet dual input (TTM)
  - 2TM/TTM controller card assembly **4-274**
  - 2TTM/TTM left door assembly **4-269**
  - caster **4-213**
  - clutch **4-275**
  - drive motor assembly **4-273**
  - feed roll **4-259**
  - feed roll one-way clutch **4-260**
  - feed unit drive gear 27T **4-268**
  - foot cover **4-209**
  - front cable assembly **4-222**
  - left cover **4-211**
  - lift coupling assembly **4-249**
  - media feed lift motor **4-248**
  - media feed unit assembly (tray 3) **4-243**
  - media feed unit assembly (tray 4) **4-239**
  - media feed unit drive gear 13 tooth **4-252**
  - media feed unit drive gear 28/21T **4-257**
  - media feed unit drive gear 29T **4-258**
  - media guide rack and pinion **4-223**
  - media out actuator **4-253**
  - media transport roll assembly **4-246**
  - one-way 22T **4-261**
  - one-way clutch/gear assembly **4-250**
  - pick roll **4-266**
  - pick roll drive gear 25T **4-267**
  - pick roll idler gear 33T **4-265**
  - rear cover **4-212**
  - right cover **4-210**
  - sensor (media level) **4-254**
  - sensor (media out) **4-255**
  - sensor (pre-feed) **4-256**
  - sensor (tray 3 feed-out) **4-247**
  - sensor (tray 4 feed-out) **4-241**
  - separation roll **4-263**
  - separation roll one-way friction clutch **4-262**
  - switch (2TM/TTM left door interlock) **4-270**
  - switch (TTM media size) **4-242**
  - top cover **4-208**
  - tray 3 assembly **4-217**
  - tray 3 front cover **4-218**
  - tray 3 lift gear assembly **4-271**
  - tray 3 media guide lock assembly **4-226**
  - tray 3 mylar actuator **4-227**
  - tray 3 rear cable assembly **4-219**
  - tray 4 assembly **4-216**
  - tray 4 front cables **4-233**
  - tray 4 front cover **4-228**
  - tray 4 lift gear assembly **4-272**
  - tray 4 media guide lock assembly **4-237**
  - tray 4 media guide rack and pinion **4-235**
  - tray 4 mylar actuator **4-238**
  - tray 4 rear cables **4-230**
  - tray 4 transport assembly **4-229**
  - tray support roll **4-214**
- removals—ADF
  - actuator/media guide assembly **4-190**
  - ADF controller card assembly **4-167**
  - ADF exit roll assembly **4-196**
  - ADF feed drive motor assembly **4-172**
  - ADF feed/pick roll assembly **4-178**
  - ADF feed-out roll assembly **4-193**
  - ADF front cover assembly **4-166**
  - ADF left cover assembly **4-168**
  - ADF left cover media guide **4-181**
  - ADF media feed assembly **4-162**
  - ADF rear cover **4-165**
  - ADF registration motor **4-201**
  - ADF registration roll assembly **4-191**
  - ADF separation roll guide assembly **4-195**
  - ADF transport roll assembly **4-198**
  - ADF unit assembly **4-159**
  - document set actuator **4-180**
  - document set LED **4-174**
  - document tray assembly **4-164**
  - inverter gate **4-191**
  - inverter solenoid assembly **4-173**
  - left cover pinch roll assembly **4-171**
  - media scan guide **4-161**
  - pick roll position motor assembly **4-182**
  - platen cushion **4-160**
  - sensor (ADF inverter) **4-189**
  - sensor (ADF pre-registration) **4-188**
  - sensor (ADF registration) **4-187**
  - sensor (ADF width APS 1) **4-184**
  - sensor (ADF width APS 2) **4-185**
  - sensor (ADF width APS 3) **4-186**
  - sensor (document set) **4-199**
  - sensor (document tray length 1) **4-205**
  - sensor (document tray length 2) **4-206**

sensor (document tray width 1) **4-202**  
 sensor (document tray width 2) **4-203**  
 sensor (document tray width 3) **4-204**  
 sensor (pick roll position HP) **4-177**  
 sensor (sheet through) **4-200**  
 sheet through actuator **4-175**  
 switch (ADF left cover interlock) **4-183**

removals—duplex unit

duplex access handle **4-310**  
 duplex controller card assembly **4-304**  
 duplex docking locks **4-279**  
 duplex drive gear 28T **4-283**  
 duplex drive gear 33/74T **4-286**  
 duplex drive gear 33T **4-289**  
 duplex drive gear 42T **4-292**  
 duplex drive motor assembly **4-301**  
 duplex media center transport roll **4-314**  
 duplex media in actuator **4-298**  
 duplex media transport roll **4-313**  
 duplex sensor (duplex wait) **4-307**  
 duplex support strap **4-280**  
 duplex switch (left cover interlock) **4-295**  
 duplex unit assembly **4-277**

removals—exit 2

exit 2 actuator **4-323**  
 exit 2 cooling fan **4-331**  
 exit 2 diverter gate **4-318**  
 exit 2 left cover **4-319**  
 exit 2 left door handle **4-316**  
 exit 2 media diverter solenoid **4-327**  
 exit 2 media shift gear **4-326**  
 exit 2 right cover **4-320**  
 exit 2 sensor (exit 2 media shift HP) **4-329**  
 exit 2 sensor (exit 2) **4-328**  
 exit 2 sensor (standard bin full exit 2) **4-330**  
 exit 2 switch (left door interlock) **4-324**  
 exit 2 unit assembly **4-315**  
 exit 2 unit docking lever **4-316**  
 standard bin full exit 2 actuator **4-322**

removals—scanner

ADF angle actuator assembly **4-152**  
 CCD card/lens assembly **4-146**  
 exposure lamp **4-158**  
 exposure lamp PS card assembly **4-157**  
 large platen glass **4-142**  
 operator panel assembly **4-136**  
 operator panel controller card assembly **4-139**  
 operator panel inverter card assembly **4-140**  
 operator panel user touch screen **4-137**  
 scanner controller card assembly **4-143**  
 scanner cooling fan **4-156**  
 scanner drive motor assembly **4-155**  
 scanner left cover **4-134**  
 scanner PS card assembly **4-154**  
 scanner right cover **4-135**  
 scanner top rear cover **4-133**  
 scanner unit assembly **4-141**  
 sensor (ADF angle) **4-153**  
 sensor (platen length APS 1) **4-148**

sensor (platen length APS 2) **4-149**  
 sensor (scanner HP) **4-151**  
 small platen glass **4-145**  
 switch (platen interlock) **4-150**  
 USB connector **4-137**

right arrow button **2-9**  
 right scroll increase button **2-8**

## S

safety information **xix**  
 safety inspection guide **6-1**  
 scheduled maintenance **6-2**  
 select button **2-8**  
 service checks **2-40**  
 size and weight - without finisher **1-3**  
 standard connectivity **1-1**  
 Start button **2-4**  
 status message bar **2-5**  
 Stop button **2-4**

## T

time to first page **1-1**  
 tools required **1-73**

7500-XXX

## Part number index

P/N	Description	Page
40X0179	Nyogel 744 grease packet	7-94
40X0269	Power cord—USA, Canada, Latin America, Asia Pacific LV 8ft right angle	7-93
40X0270	Power cord—Japan 15A LV 8ft straight	7-93
40X0271	Power cord—United Kingdom 8ft straight	7-93
40X0273	Power cord—Chile, Italy, Uruguay HV 8ft straight	7-93
40X0277	Power cord—Brazil high amp LV 6ft straight	7-93
40X0280	Power cord—Korea 10A HV 6ft straight	7-93
40X0281	Power cord—Taiwan 13A LV 6ft straight	7-93
40X0288	Power cord—Argentina HV 8ft straight	7-93
40X0290	RS232C serial interface	7-94
40X0291	Parallel 1284-B interface card	7-94
40X0297	Power cord—China HV 6ft straight	7-93
40X0301	Power cord—Australia, New Zealand HV 6ft straight	7-93
40X0550	Left lower cover	7-3
40X0553	Switch (printer front door interlock)	7-3
40X0553	Switch (printer left door interlock)	7-19
40X0560	Front door magnetic catch	7-3
40X0561	Front door support strap	7-3
40X0562	Front inner cover	7-3
40X0563	Right upper cover	7-5
40X0564	Right lower cover	7-5
40X0568	Option hookup cover	7-5
40X0569	Media catch tray kit	7-7
40X0570	Switch (media size)	7-7
40X0571	Vertical turn mylar guide	7-7
40X0572	Vertical turn guide	7-7, 7-73
40X0573	Media tray assembly (this comes assembled)	7-11
40X0574	Media tray front cover	7-11
40X0576	Media tray side guide kit	7-11
40X0577	Media tray side guide actuator kit	7-11
40X0578	Media tray end guide kit	7-11
40X0579	Media tray end guide actuator kit	7-11
40X0580	Media tray lift gear kit	7-11
40X0581	Media feed unit assembly	7-9
40X0581	Media feed unit assembly (this comes assembled)	7-71, 7-73, 7-75
40X0582	Media feed lift motor	7-9, 7-75
40X0583	Tray lift coupling kit	7-9, 7-75
40X0585	Media feed drive gear kit	7-9, 7-75
40X0586	Media feed unit front guide kit	7-9, 7-75
40X0587	Media out actuator	7-9, 7-75
40X0588	Sensor (duplex wait)	7-81
40X0588	Sensor (exit 2 media shift HP)	7-87
40X0588	Sensor (Exit 2)	7-87
40X0588	Sensor (exit1 media shift HP)	7-29
40X0588	Sensor (fuser exit)	7-27
40X0588	Sensor (media level)	7-9, 7-75
40X0588	Sensor (media out)	7-9, 7-75
40X0588	Sensor (MPF media out)	7-13
40X0588	Sensor (standard bin full exit 1)	7-29
40X0588	Sensor (standard bin full Exit 2)	7-87
40X0589	Sensor (ADF registration)	7-57
40X0589	Sensor (pre-feed)	7-9, 7-75
40X0589	Sensor (tray 2 feed-out)	7-23
40X0590	Pick roll assembly spring	7-9, 7-75

**7500-XXX**

40X0591	Feed roll one-way clutch kit	7-9, 7-75
40X0593	Separation roll friction clutch kit	7-9, 7-75
40X0594	Feed unit roll kit	7-9, 7-75
40X0595	MPF feed unit assembly	7-13
40X0596	MPF media out actuator kit	7-13
40X0597	MPF unit cable assembly	7-13
40X0598	MPF idler gear bracket assembly	7-13
40X0599	MPF front cover	7-13
40X0600	MPF rear cover	7-13
40X0601	MPF transport pinch roll assembly	7-13
40X0603	MPF pick roll kit	7-15
40X0605	MPF transport roll kit	7-15
40X0606	MFP pick solenoid kit	7-15
40X0608	MPF fold down tray assembly	7-13
40X0609	Vertical drive gear assembly	7-17
40X0610	Switch (2TM/TTM left door interlock)	7-77
40X0610	Switch (duplex left door interlock)	7-81
40X0610	Switch (exit 2 left door interlock)	7-87
40X0610	Switch (left lower door interlock)	7-17
40X0612	Printer left lower door assembly (this comes assembled)	7-17
40X0613	Hinge pin	7-17
40X0614	Left lower door handle kit	7-17
40X0616	Transfer roll assembly	7-19
40X0617	Transfer roll power contact	7-19
40X0618	PC cartridge shutter link	7-19
40X0619	Transfer roll guide assembly	7-19
40X0620	Printer left door assembly (this comes assembled)	7-21
40X0621	Printer left door assembly handle kit	7-21
40X0622	PC cartridge shutter actuator	7-21
40X0623	Left door duplex entrance guide	7-21
40X0624	Printer left door support strap	7-21
40X0625	Registration roll assembly	7-23
40X0626	Registration clutch	7-23
40X0627	Sensor (registration)	7-23
40X0628	Registration mylar guide assembly	7-23
40X0630	Tray 2 feed-out sensor guide	7-23
40X0631	PC cartridge stop	7-25
40X0633	Sensor (hum & temp)	7-25
40X0634	PC cartridge guide assembly	7-25
40X0635	Laser opening guide	7-25
40X0636	Sensor (RFID PC cartridge)	7-25
40X0636	Sensor (RFID toner cartridge)	7-25
40X0637	Multi connector cable assembly 1	7-25, 7-89
40X0638	Toner cartridge guide kit	7-25
40X0639	Toner add motor assembly	7-25
40X0640	Fuser cooling fan	7-25
40X0641	Printhead assembly	7-25
40X0643	PC cartridge cooling fan	7-25
40X0644	PC cartridge sensor connector	7-25
40X0645	Fuser exit actuator kit	7-27
40X0650	Exit 1 sensor cable assembly	7-29
40X0651	Media shift motor	7-29
40X0653	Exit 1 media shift gear	7-29
40X0654	Media diverter gate kit	7-29
40X0657	Standard bin full exit 1 actuator kit	7-29
40X0659	Exit 1 drive belt	7-31
40X0660	Dual drive motor assembly	7-31
40X0661	Drive belt flange	7-31
40X0662	HVPS	7-33



40X0664	Exit interface card asm	7-33
40X0673	HCF hookup connector asm	7-33, 7-89
40X0674	Media feed unit cable assembly	7-90
40X0675	MPF hookup cable assembly	7-90
40X0676	Media size switch cable assembly	7-89
40X0677	RIP card cable assembly	7-91
40X0679	Exit interface cable assembly	7-92
40X0683	Interlock switch cable assembly	7-89
40X0685	Dual drive motor cable assembly	7-90
40X0686	RFID sensor cable assembly	7-88
40X0687	Top cover	7-65
40X0688	Foot cover	7-65
40X0689	Right cover	7-65
40X0690	Left cover	7-65
40X0691	Locking caster	7-65
40X0692	Sensor (tray 3 feed-out)	7-73
40X0693	Sensor cable kit	7-73
40X0695	2TM/TTM media transport roll assembly	7-73
40X0696	2TM/TTM left door pinch assembly (this comes assembled)	7-77
40X0697	2TM/TTM left door support strap	7-77
40X0699	2TM/TTM clutch kit	7-79
40X0703	Tray support roll (4)	7-65
40X0704	Tray 4 stopper	7-65
40X0705	Tray 3 front cover kit	7-67
40X0706	Lift cable pulley	7-67, 7-69
40X0707	Tray lift shaft assembly	7-67, 7-69
40X0708	Large idler pulley kit	7-67
40X0709	Tray 3 rear cable (2)	7-67
40X0710	Tray 3 front cable (2)	7-67
40X0711	TTM tray separator kit	7-67, 7-69
40X0712	Tray 3 media guide lock kit	7-67
40X0713	Media guide rack and pinion kit	7-67, 7-69
40X0714	TTM media tray catch	7-69
40X0714	TTM media tray catch	7-67
40X0715	Tray 3 brake assembly	7-67
40X0716	Tray 3 slide kit	7-67
40X0717	Mylar actuator	7-67, 7-69
40X0718	Tray 4 front cover	7-69
40X0719	Tray 4 rear cable (2)	7-69
40X0720	Tray 4 front cable (2)	7-69
40X0721	Tray 4 media guide lock kit	7-69
40X0722	Tray 4 brake kit	7-69
40X0723	Tray 4 rear support roll (2)	7-69
40X0724	Tray 4 media transport assembly	7-71
40X0727	Sensor (tray 4 feed-out)	7-71
40X0728	Tray 4 media guide kit	7-71
40X0729	Switch (TTM media size switch)	7-71
40X0730	Tray 4 feed-out sensor cable assembly	7-71
40X0732	Upper vertical turn guide	7-73
40X0733	2TM/TTM left door assembly (this comes assembled)	7-77
40X0734	Tray 3 lift gear assembly	7-79
40X0735	Tray 4 lift gear assembly	7-79
40X0736	TTM drive gear kit	7-79
40X0755	MPF pickup spring	7-13
40X0780	Duplex unit assembly (this comes assembled)	7-81, 7-83
40X0781	Duplex drive gear kit	7-81
40X0782	Duplex left door handle kit	7-81
40X0783	Duplex lower guide	7-81
40X0784	Duplex wait actuator kit	7-81

**7500-XXX**

40X0785	Duplex drive motor kit	7-81
40X0786	Duplex controller card assembly	7-81
40X0787	Duplex left cover	7-81
40X0788	Duplex cable kit	7-81
40X0789	Duplex left door support strap	7-83
40X0790	Duplex docking lock (2)	7-83
40X0791	Hinge pin (2)	7-83
40X0792	Duplex media transport pinch roll kit	7-83
40X0793	Duplex media transport roll kit	7-83
40X0794	Exit 2 unit assembly (this comes assembled)	7-85, 7-87
40X0795	Exit 2 left door handle kit	7-85
40X0796	Media diverter gate kit	7-85
40X0797	Exit 2 left door support strap	7-85
40X0798	Left cover	7-85
40X0801	Right cover kit	7-87
40X0802	Exit 2 docking latch kit	7-87
40X0803	Exit 2 media shift gear	7-87
40X0805	Media diverter solenoid kit	7-87
40X0806	Exit 2 pinch roll kit	7-87
40X0807	Exit 2 cooling fan	7-87
40X0808	Standard bin full exot 2 actuator kit	7-87
40X0809	Exit 2 actuator	7-87
40X0880	Bushing 6 mm	7-9, 7-75
40X0948	Assorted E-clip packet	7-94
40X0949	Assorted screw packet	7-94
40X0952	Bushing 6 mm	7-9, 7-75
40X0953	TTM tray lift pulley kit	7-67, 7-69
40X0960	2TM/TTM retaining screws	7-3
40X0962	TTM media tray 3 assembly (this comes assembled)	7-65, 7-67
40X0963	TTM media tray 4 assembly (this comes assembled)	7-65, 7-69
40X0965	Media tray separation pad	7-11
40X0966	Media tray separation brush	7-11
40X0967	Media tray lift one-way clutch/gear kit	7-9, 7-75
40X0968	Media tray lift one-way shaft	7-9, 7-75
40X0969	Pick roll idler gear	7-9, 7-75
40X0970	Pick roll drive gear	7-9, 7-75
40X0971	MPF feed drive gear kit	7-15
40X0973	MPF feed cam gear kit	7-15
40X0974	MPF pressure pad kit	7-15
40X1375	MarkNet 8000 Fast Ethernet	7-94
40X1376	MarkNet 8020 Gigabit Ethernet	7-94
40X1377	MarkNet 8030 Fiber Ethernet	7-94
40X1378	MarkNet 8050 wireless, US	7-94
40X1379	MarkNet 8050 wireless, non-US	7-94
40X1380	MPF pressure pad spring	7-15
40X1381	MPF feed shaft bushing	7-15
40X1382	MPF feed shaft kit	7-15
40X1386	Bushing 6 mm (transport roll rear)	7-17
40X1387	Transport roll kit	7-17
40X1388	Bushing 8 mm	7-17
40X1389	PC cartridge interlock switch screw	7-25
40X1390	PC cartridge interlock switch kit	7-25, 7-89
40X1391	Exit 1 static eliminator	7-29
40X1392	Exit 1 media exit guide kit	7-29
40X1455	64MB Flash card	7-94
40X1508	128MB memory option	7-94
40X1509	256MB memory option	7-94
40X1510	512MB memory option	7-94
40X1512	Japanese font card	7-94

40X1513	Simplified Chinese font card	7-94
40X1514	Traditional Chinese font card	7-94
40X1515	Korean font card	7-94
40X1564	32MB Flash card	7-94
40X1767	Power cord—Austria, Belgium, Brazil, France, Germany, Greece, Italy, Luxembourg, Netherlands, Nordic countries, Paraguay, Poland, Portugal, Russia, Senegal, Spain HV 8ft straight	7-93
40X1771	Power cord—Israel HV 8ft straight	7-93
40X1772	Power cord—Liechtenstein, Switzerland HV 8ft straight	7-93
40X1773	Power cord—South Africa, Hong Kong, Singapore, Thailand, Malaysia HV 8ft straight	7-93
40X1774	Power cord—Denmark HV 8ft straight	7-93
40X2200	Scanner top rear cover	7-37
40X2201	Scanner right cover	7-37
40X2203	Operator panel cable assembly	7-37
40X2205	Scanner left cover	7-37
40X2206	Flatbed scanner unit assembly	7-37, 7-47
40X2207	Scanner PS cable assembly	7-37
40X2208	Large platen glass	7-39
40X2209	Large platen glass retainer cover	7-39
40X2210	Scanner controller card assembly	7-39
40X2211	CCD ribbon cable assembly	7-39
40X2212	Scanner main cable assembly	7-39
40X2213	Small platen glass front retainer	7-39
40X2214	Small platen glass	7-39
40X2215	Small platen glass rear retainer	7-39
40X2216	Scanner filter	7-39
40X2217	Card mounting screws	7-39
40X2218	Large platen retainer	7-39
40X2219	Scanner interface cable assembly	7-37
40X2220	CCD card/lens assembly	7-41
40X2222	Switch (platen interlock)	7-41
40X2223	Sensor (ADF angle)	7-41
40X2223	Sensor (ADF inverter)	7-57
40X2223	Sensor (ADF pre-registration)	7-57
40X2223	Sensor (ADF width APS 1)	7-57
40X2223	Sensor (ADF width APS 2)	7-57
40X2223	Sensor (ADF width APS 3)	7-57
40X2223	Sensor (document set)	7-59
40X2223	Sensor (document tray width 1)	7-63
40X2223	Sensor (document tray width 2)	7-63
40X2223	Sensor (document tray width 3)	7-63
40X2223	Sensor (pick roll position HP)	7-55
40X2223	Sensor (Scanner HP)	7-41
40X2223	Sensor (sheet through)	7-61
40X2224	ADF angle actuator assembly	7-41
40X2225	Scanner PS card assembly	7-41
40X2226	Scanner drive belt	7-43
40X2228	Scanner drive motor assembly	7-43
40X2229	Scanner drive motor tension spring	7-43
40X2231	Scanner cooling fan	7-43
40X2232	Scanner 2nd/3rd mirror	7-45
40X2233	Mirror retaining clip	7-45
40X2234	Scanner 1st mirror	7-45
40X2236	Exposure lamp PS ribbon cable	7-45
40X2237	Exposure lamp	7-45
40X2238	ADF mounting screw	7-47
40X2239	Platen cushion	7-47
40X2240	ADF unit assembly (complete unit)	7-47
40X2242	Document tray assembly (this comes assembled)	7-49, 7-63
40X2243	Document tray hinge	7-49

40X2244	ADF rear cover	7-49
40X2245	ADF front cover assembly	7-49
40X2246	Small hook/loop strip	7-49
40X2247	Large hook/loop strip	7-51
40X2248	Solenoid/interlock cable assembly	7-51
40X2256	Inverter lever	7-53
40X2257	ADF left hinge	7-51
40X2258	ADF right hinge	7-51
40X2259	ADF interface cable assembly	7-51
40X2260	ADF controller card assembly	7-51
40X2262	ADF left cover assembly (this comes assembled)	7-53
40X2264	Document set/sheet through cable assembly	7-53
40X2265	Registration motor cable assembly	7-53
40X2266	ADF feed motor cable assembly	7-53
40X2267	Left cover hinge retainer	7-53
40X2269	Stud screw	7-53
40X2270	Registration main drive belt	7-53
40X2271	Inverter solenoid assembly	7-53
40X2272	Document set LED	7-53
40X2273	Separation roll guide assembly (this comes assembled)	7-53
40X2274	ADF left cover handle	7-55
40X2275	Sheet through actuator	7-55
40X2276	Left cover pinch roll assembly (this comes assembled)	7-55
40X2277	Pick roll position motor assembly	7-55
40X2278	Pick roll position cable assembly	7-55
40X2279	Document set front stop	7-55
40X2280	ADF feed/pick roll assembly (this comes assembled)	7-55
40X2283	Document set actuator	7-55
40X2286	Switch (ADF left cover interlock)	7-57
40X2288	ADF main feed cable assembly	7-57
40X2289	Inverter gate	7-57
40X2290	Actuator/media guide assembly (this comes assembled)	7-57
40X2291	Plastic ring clip 6 mm	7-55
40X2291	Plastic ring clip kit	7-59
40X2294	Front left cover	7-3
40X2295	Rear interior cover	7-3
40X2296	Front interior cover	7-3
40X2297	Left upper cover	7-3
40X2299	Rear corner cover	7-5
40X2300	Rear motor cover	7-5
40X2301	Rear Upper cover	7-5
40X2302	Rear lower cap cover	7-5
40X2303	GFI label	7-5
40X2304	Rear RIP card cover	7-5
40X2305	Controller box lower cover	7-5
40X2306	Controller box side cover	7-5
40X2307	Fuser assembly 110V (this comes assembled)	7-27
40X2308	Fuser assembly 220V (this comes assembled)	7-27
40X2309	MPF/transport drive motor assembly	7-31
40X2310	MPF/transport drive gear 19/29T	7-31
40X2311	LVPS cooling fan	7-33
40X2312	Universal LVPS card assembly	7-33
40X2313	AC power input socket kit	7-33, 7-90
40X2314	AC drive card assembly 110 V	7-33
40X2315	AC drive card assembly 220 V	7-33
40X2316	Printer engine card assembly X850e	7-33
40X2317	Printhead cable assembly	7-91
40X2318	Multi connector cable assembly 3	7-89, 7-90
40X2319	Main switch cable assembly	7-88

40X2320	Sensor (platen length APS 1) -----	7-41
40X2320	Sensor (platen length APS 2) -----	7-41
40X2321	Left cover media guide -----	7-55
40X2323	Media scan guide -----	7-57
40X2324	Media scan guide spring -----	7-57
40X2325	ADF registration motor -----	7-61
40X2326	Tension spring -----	7-61
40X2327	ADF feed motor assembly (this comes assembled) -----	7-53
40X2327	ADF feed motor assembly (this comes complete) -----	7-61
40X2328	Sensor (document tray length 1) -----	7-63
40X2328	Sensor (document tray length 2) -----	7-63
40X2330	Spring -----	7-51, 7-55
40X2333	ADF registration roll assembly -----	7-59
40X2334	ADF feed-out roll assembly -----	7-59
40X2335	ADF exit roll assembly -----	7-59
40X2336	ADF transport roll assembly -----	7-59
40X2337	Bearing 8 mm -----	7-59
40X2338	Bushing 6 mm -----	7-59
40X2339	Bushing 8 mm -----	7-59
40X2340	Registration roll drive pulley 28T -----	7-59
40X2341	Feed-out roll drive pulley 25/28T -----	7-59
40X2342	Exit roll drive pulley 20T -----	7-59
40X2343	Transport roll drive gear 20T -----	7-59
40X2344	Manual feed drive pulley -----	7-59
40X2345	Manual feed drive belt -----	7-59
40X2346	Manual feed drive wheel -----	7-59
40X2347	Exit roll drive belt -----	7-59
40X2348	Tension spring -----	7-59
40X2349	Registration main drive pulley 21/54T -----	7-59
40X2350	Registration secondary drive belt -----	7-59
40X2351	Retainer spring -----	7-59
40X2352	Exposure lamp PS card insulator -----	7-45
40X2353	Exposure lamp PS card assembly -----	7-45
40X2354	Registration pad -----	7-51
40X2355	Registration pad cover -----	7-51
40X2359	Interconnect card assembly -----	7-35
40X2360	Fax interface card assembly -----	7-35
40X2362	Operator panel user touch screen -----	7-37
40X2363	Operator panel controller card assembly -----	7-37
40X2364	Operator panel inverter card assembly -----	7-37
40X2365	USB connector/housing/cable -----	7-37
40X2366	Top cover assembly -----	7-3
40X2367	Multi connector cable assembly 2 -----	7-91
40X2368	Fuser AC cable assembly -----	7-88
40X2369	Hard drive power cable assembly -----	7-35
40X2370	Hard drive data cable assembly -----	7-35
40X2371	ADF registration pinch/frame assembly -----	7-51
40X2372	Transport roll drive gear 28T -----	7-31
40X2373	MPF drive gear 18T -----	7-31
40X2374	Transport motor support busing -----	7-31
40X2375	Maintenance kit (110 V) -----	7-94
40X2375	Maintenance kit, 110 V -----	6-2
40X2376	Maintenance kit (220 V) -----	7-94
40X2376	Maintenance kit, 220 V -----	6-2
40X2377	Maintenance kit (100 V) -----	7-94
40X2377	Maintenance kit, 100 V -----	6-2
40X2378	Fuser assembly 100V (this comes assembled) -----	7-27
40X2379	Printer engine card assembly X852e -----	7-33
40X2380	Printer engine card assembly X854e -----	7-33

**7500-XXX**

40X2381	Document set rear stop	7-55
40X2382	TVOC filter assembly	7-5
40X2383	ADF main feed assembly	7-53
40X2383	ADF main feed assembly (this comes assembled)	7-59
40X2384	Exit 1 media shift assembly (this comes assembled)	7-29
40X2385	Printer front door assembly	7-3
40X2386	Rear lower cover (110V)	7-5
40X2387	Rear lower cover (220V)	7-5
40X2388	Switch (main power)	7-33
40X2389	Output guide	7-29, 7-87
40X2399	USB cable assembly	7-37
40X2730	Operator panel bezel (X850e)	7-37
40X2731	Operator panel bezel (X852e)	7-37
40X2732	Operator panel bezel (X854e)	7-37
40X2734	Maintenance kit (ADF)	7-94
40X2734	Maintenance kit, ADF	6-2
40X2735	2TM/TTM controller card assembly	7-79
40X2736	Operator panel assembly (universal)	7-37
40X2794	Forms card assembly	7-94
40X3500	IPDS card assembly	7-94
40X3664	2TM/TTM drive motor	7-79
40X3666	TTM main cable assembly	7-79
40X4652	RIP card chassis bracket assembly	7-35